

简介 / Introduction

本系列齿轮油泵为外啮合容积式齿轮泵，有直齿和斜齿两种。用以输送粘度为1~8°E矿物油，油温在10℃~60℃，如液压油、机械油、燃料油。广泛用于机床、液压机械、工程机械的液压系统，也可用于稀油站、冶金、矿山、石油、化工、纺织机械等设备中作输油泵、润滑泵、燃油泵用。

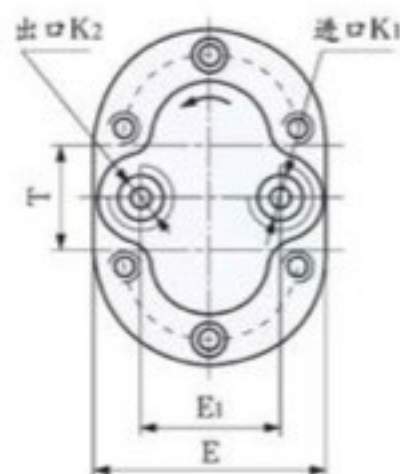
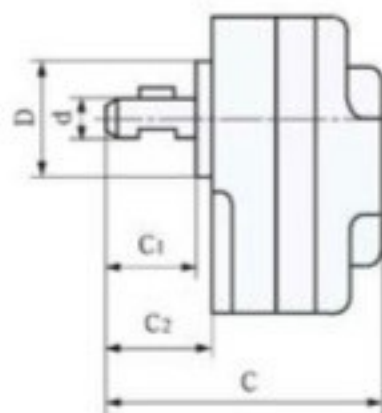
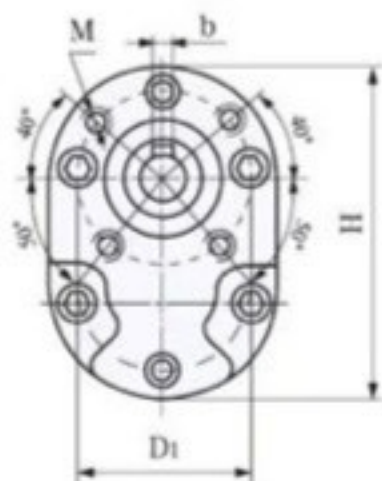
This series of gear pump as the external meshing volume type gear pump, and skew spur two. Used for conveying viscosity is 1~8°E mineral oil, the oil temperature at 10~60℃, such as hydraulic oil, lubricating oil, fuel oil. Widely used in hydraulic system of machine tools, hydraulic machinery, engineering machinery, can also be used for thin oil station, metallurgy, mine, petroleum, chemical, textile machinery and other equipment in oil pump, oil pump station, fuel pump.



型号说明 / Model description



外形尺寸图 / Outline dimension drawing



技术参数 / Technical parameters

型号 Model	额定流量 Rated Flow L/min	压力 Pressure MPa	转速 Speed r/min	容积效率 Efficiency η v%	总效率 General Efficiency η t%	压力脉动 Pulsant Pressure MPa	噪声值 Noise 分贝	驱动功率 Driving Power kw	重量 Weight kg		
CB-B2.5	2.5	2.5	1450	>70	>63	±0.10	62~65	0.18	1.6		
CB-B4	4			>80	>72			0.21	1.7		
CB-B6	6							0.31	1.8		
CB-B10	10						0.51	2.1			
CB-B16	16						>90	>81	67~70	0.82	4.2
CB-B20	20						1.02	4.4			
CB-B25	25						1.30	4.6			
CB-B32	32						1.65	5.0			
CB-B40	40						>94	>85	74~77	2.1	7.2
CB-B50	50						2.6	7.6			
CB-B63	63						3.3	7.8			
CB-B80	80						4.1	12.6			
CB-B100	100						5.1	13.3			
CB-B125	125						>95	>86	80~83	6.5	14.5
CB-B160	160						8.2	15.6(精密)			

技术规格 / Technical specifications

型号 Model	C	E	H	C ₁	C ₂	D(f8)	D ₁	d(h7)	E ₁	T	b	M	K ₁	K ₂
CB-B2.5	79	66	96	25	30	Φ35	Φ50	Φ12	35	30	4	M6	Z ^{3/4}	Z ^{3/4}
CB-B4	82													
CB-B6	86													
CB-B10	94	90	132	30	35	Φ50	Φ65	Φ16	50	42	5	M8	Z ^{3/4}	Z ^{3/4}
CB-B16	107													
CB-B20	111													
CB-B25	115													
CB-B32	121													
CB-B40	132													
CB-B50	138	102	154	35	40	Φ55	Φ80	Φ22	55	52	6	M8	Z1*	Z ^{3/4}
CB-B63	144													
CB-B80	158													
CB-B100	165	121	186	45	50	Φ70	Φ95	Φ30	65	65	8	M8	Z1 ^{3/4}	Z1*
CB-B125	174													
CB-B160	186													

- 注：1. 介质温度60℃~200℃时，订货时说明。2. CB-BM耐磨齿轮油泵安装尺寸与CB-B相同。
 Note: 1. Medium temperature 60~200 °C, when ordering.
 2. CB-BM wear gear oil pump mounting rule Same with CB-B.