

(一) 简介

本过滤器用于液压系统回油精过滤，滤除液压系统中元件磨损产生的金属颗粒以及密封件的橡胶杂质等污染物，使流回油箱的油保持清洁。

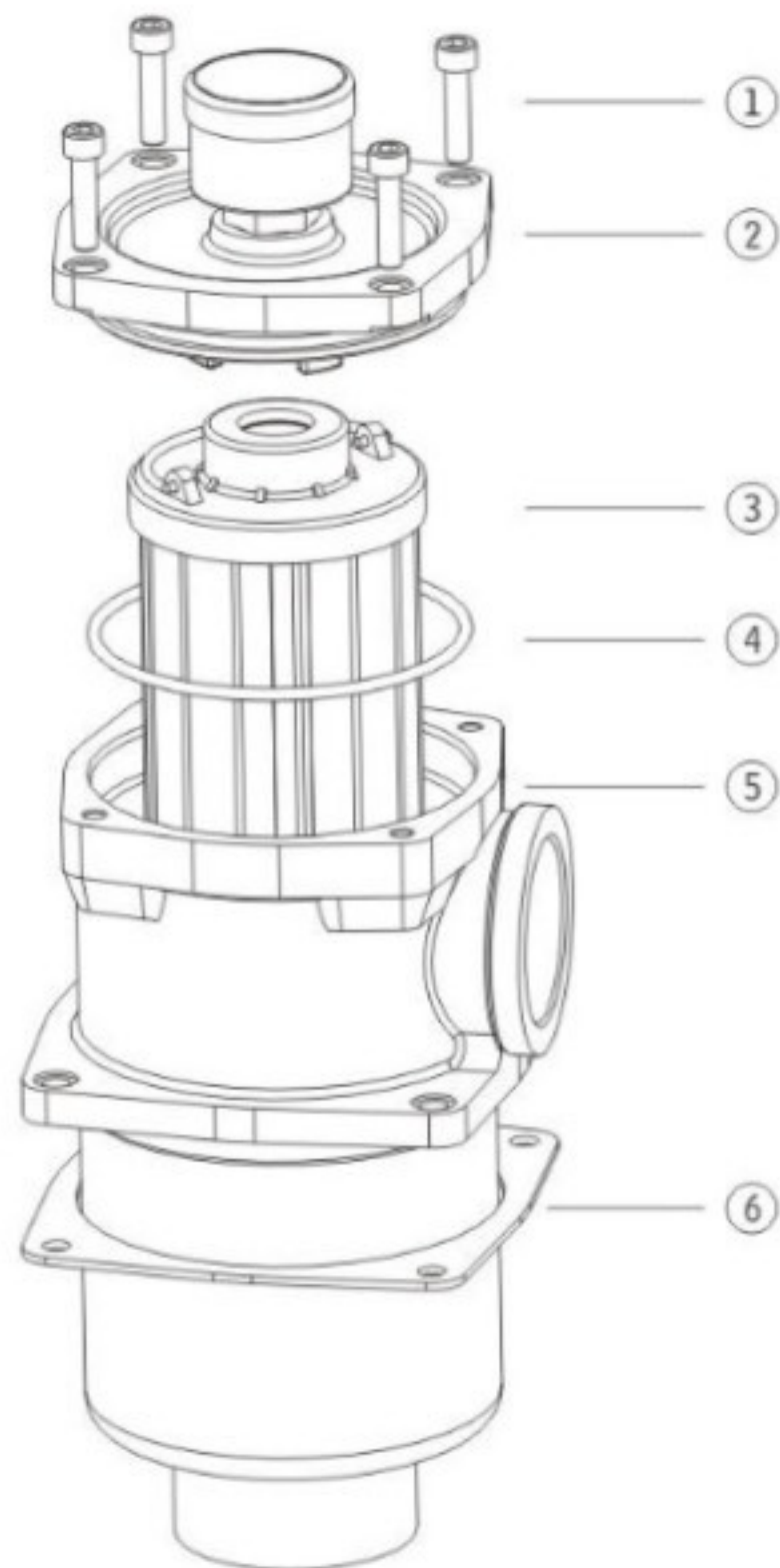
1、本过滤器可直接安装在油箱盖板上，也可以用管子安装。

2、设有滤芯污染堵塞发讯器，及旁通阀，提高液压交流的可靠性，当滤芯被污染物堵塞或系统液温过低，流量脉动等因素造成进油压力为0.35MPa时，发讯器便发出讯号指示，应及时更换滤芯或提高温度，如此时不能马上停机处理这些故障时，设在滤芯上的旁通阀会自动开启(开启压力为0.4MPa)

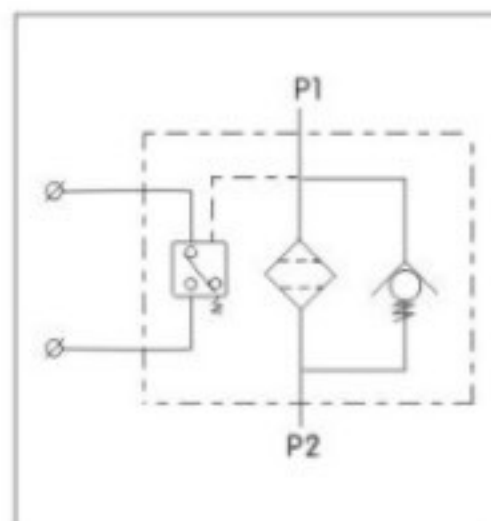
3、滤芯采用玻璃纤维材质，具有过滤精度高，通油能力大，原始压力损失小，纳污量大等优点，其过滤精度以绝对过滤精度标定，过滤比 β_3 、5、10、20 \geq 200过滤效率 $n \geq 99.5\%$ 符合ISO标准。

INTRODUCTION

This kind of filter is used in the hydraulic system for fine filtration. The filter can filter metal impurity, rubber impurity or other contamination, and keep the tank clean. This filter can be installed on the top of the cover directly or installed with pipe. It has indicator and by-pass valve. When the dirt accumulate in the filter element or the temperature of the system is too low, and the oil inlet pressure reaches 0.35Mpa, the indicator will give signals showing that the filter element should be cleaned, changed or rise the temperature. If no service is done and as the pressure reaches to 0.4mpa, the by-pass valve will open. The filter element is made of glass fiber; so it has high filtration accuracy, low initial pressure loss, high dirt-holding capacity and so on. Filter ratio $\beta_3, 5, 10, 20 > 200$, filter efficiency $n \geq 99.5\%$, and fit the ISO standard.



序号 Number	名称 Name	说明 Note
1	螺钉 Bolt	
2	滤盖 Cap	
3	滤芯 Element	易损件 wearing parts
4	O形密封圈 O-ring	易损件 wearing parts
5	壳体 Housing	
6	密封垫 Seal	易损件 wearing parts



2 型号说明 MODEL CODE

2.1

RF BN/HC 1300 D P 10 A 1. X /-L24

过滤器种类 Filter type

RF

过滤材料 Filter material

BN/HC (BN4HC) W stainless steel wire mesh

过滤器以及滤芯大小 Size of filter or element

30, 60, 110, 160, 240, 330, 500, 660, 850, 950, 1300

使用压力 Operating pressure

B 10bar(RF 30) D 25bar (RF 60-1300)

连接尺寸 Type and size of port

Type	Port	30	60	110	160	240	330	500	660	850	950	1300
B	G 1/2	•										
C	G 3/4		•	•								
E	G 1 1/4				•	•						
G	G 2						•					
L	SAE DN 50 (2")						•	•				
N*	SAE DN 80 (3")								•	•		
O	SAE DN 90 (3 1/2")										•	
P	SAE DN 100 (4")											•

过滤精度 Filtration rating in μm

BN/HC : 3, 5, 10, 20 W: 25, 50, 100, 200

发讯器种类 Type of clogging indicator

- Y with plastic screw plug in indicator port
- A with steel screw plug in indicator port
- B visual
- C electrical
- D visual and electrical

代码种类 Type code

- 1 stand connection (30 to 1300)

修改编号 Modification number

- x the latest version is always supplied

补充说明 Supplementary details

- B Bypass cracking pressure (e.g.: B6 = 6 bar), no details = no bypass valve
- L... Lamp with corresponding voltage (24V, 48V, 110V, 220V)
- LED 2 LEDs up to 24-volt voltage
- V FKM seal, no details = NBR seal
- W Suitable for oil-water emulsions HFA, HFC (only required if a clogging indicator is used, or V or W elements)

4.2 REPLACEMENT ELEMENT

0060 D 010 BN/HC

过滤器以及滤芯尺寸 Size of filter or element

0030,0060,0110,0160,0240,0330,0500,0660,0850,0950,1300

版本 Version

R

过滤精度 Filter rating in μm

BN/HC: 3, 5, 10, 20

W: 25, 50, 100, 200

过滤材料 Filter material

BN/HC,

W

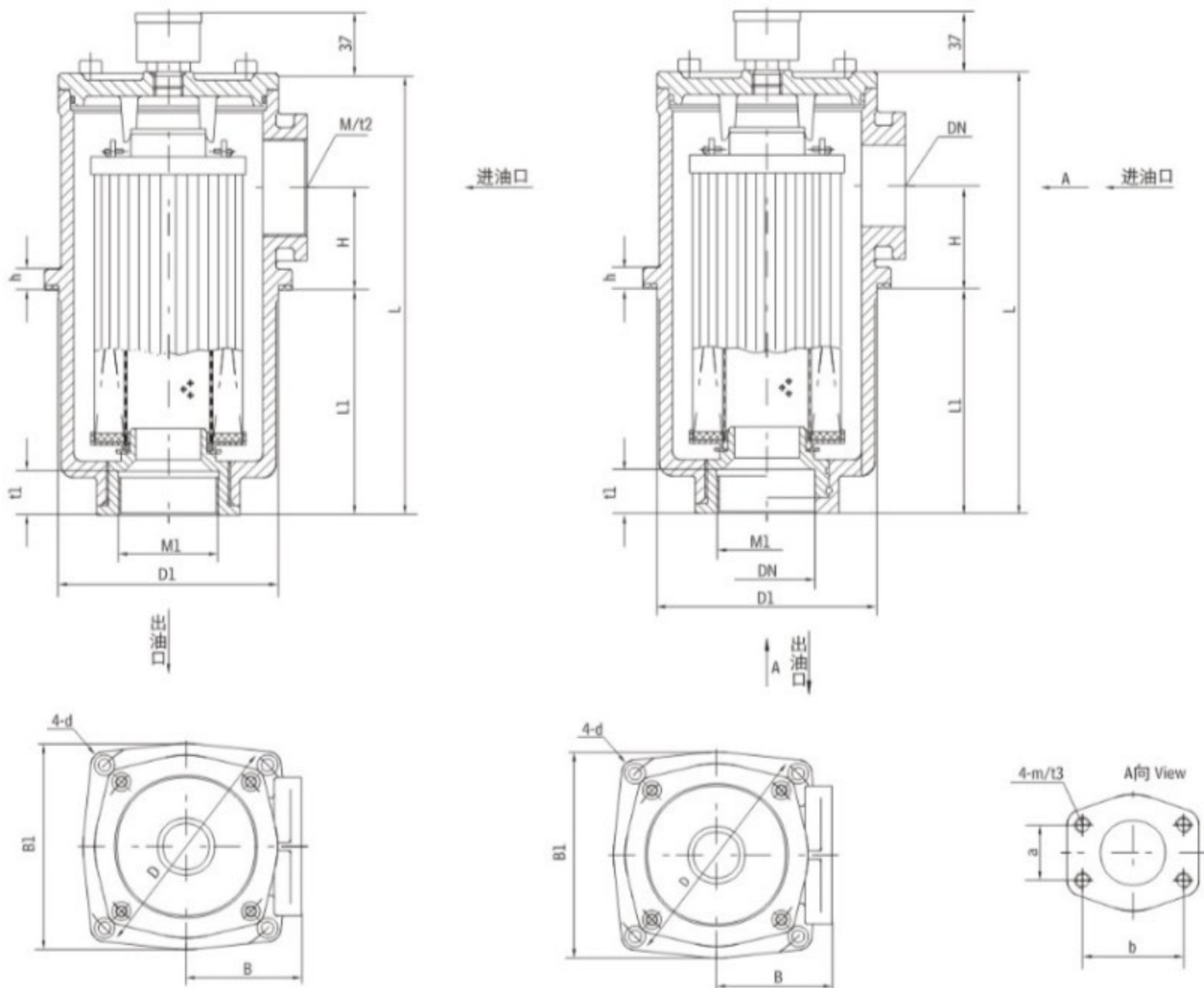
(三) 技术参数 TECHNICAL DATA

型号 Model	公称流量 Flow rate (L/min)	过滤精度 Filtr. (μm)	通径 Dia. (mm)	公称压力 Pless (Mpa)	压力损失 Initial ΔP (Mpa)		发讯装置 Indicator		重量 Weight (Kg)	滤芯型号 Model of element	
					Initial	Max.	(V)	(A)			
RF-60 x *	60	1	20	1	≤ 0.07	0.35	12	2.5	0.4	CR0060R* BN/HC	
RF-110 x *	110									CR0110R* BN/HC	
RF-160 x *	160		40							CR0160R* BN/HC	
RF-240 x *	240									3	CR0240R* BN/HC
RF-330 x *	330		5							50	CR0330R* BN/HC
RF-500 x *	500		10								CR0500R* BN/HC
RF-660 x *	660		20							80	CR0660R* BN/HC
RF-850 x *	850		30								CR0850R* BN/HC
RF-950 x *	950		100							90	CR0950R* BN/HC
RF-1300 x *	1300									20	CR1300R* BN/HC

注：*为过滤精度，若使用介质为水-乙二醇，公称流量160L/min，过滤精度10 μm ，带CYB-I型发讯器，则过滤器型号为RF·BH-160 x 10Y，滤芯型号为CR0160R010BN/HC。

Note: *is filtration accuracy, If the medium is water-glycol, flow rate is 160L/min, filtration accuracy is 10 μm , with CYB-I indicator, the model of this filter is RF·BH-160 x 10Y, the model of element is CR0160R010BN/HC.

(四) 连接尺寸 MOUNTING SIZE

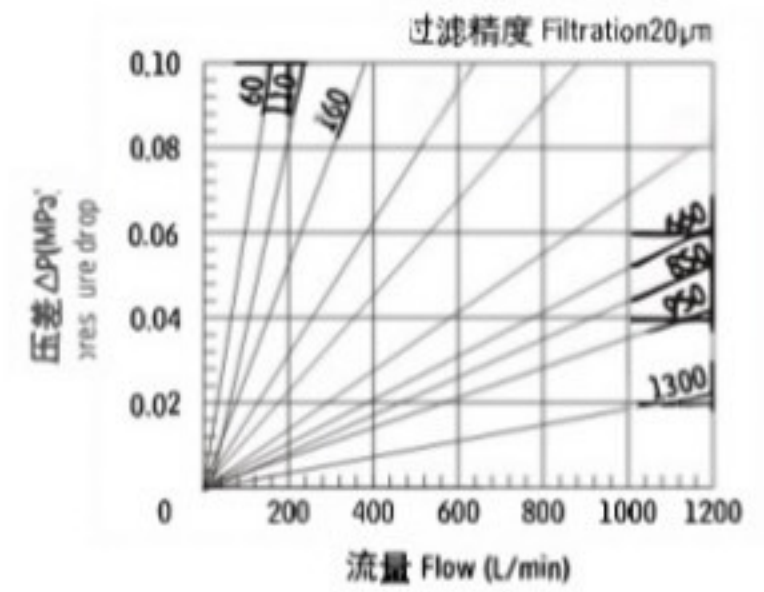
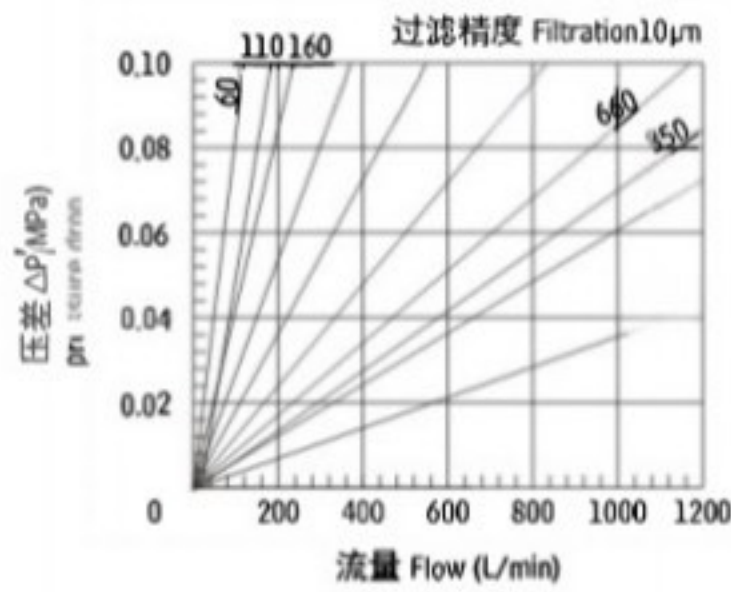
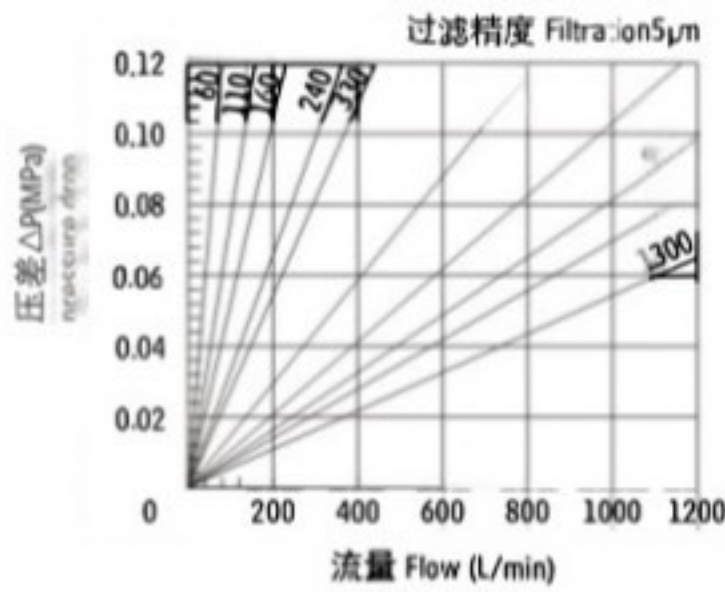


型号 Model	尺寸 Size (mm)																	
	B1	L	L1	h	D1	H	D	d	M	t2	B	M1	t1	m	t3	a	b	DN
RF-60	90	166	92	11	Φ80	34	Φ100	Φ5.5	G $\frac{3}{4}$	16	48	G $\frac{3}{4}$	16					
RF-110		G $\frac{3}{4}$	G $\frac{3}{4}$															
RF-160	120	209	120	11	Φ106	40	Φ135	Φ7	G1 $\frac{1}{4}$	20	66	G1 $\frac{1}{4}$	20					
RF-240		G1 $\frac{1}{4}$	G1 $\frac{1}{4}$															
RF-330	152	271	138	13	Φ135	63	Φ170	Φ9	G2	27	85	G2	27					
RF-330		G2	G2															
RF-500	196	351	218	13	Φ175	83	Φ220	Φ13.5		110				M12	23	42.9	77.8	Φ50
RF-660																		
RF-850	255	411	243	14	Φ208	93	Φ290	Φ17.5		135				M16	22	61.9	106.4	Φ80
RF-950																		
RF-1300		492	324			121				145					22	77.8	130.2	Φ100

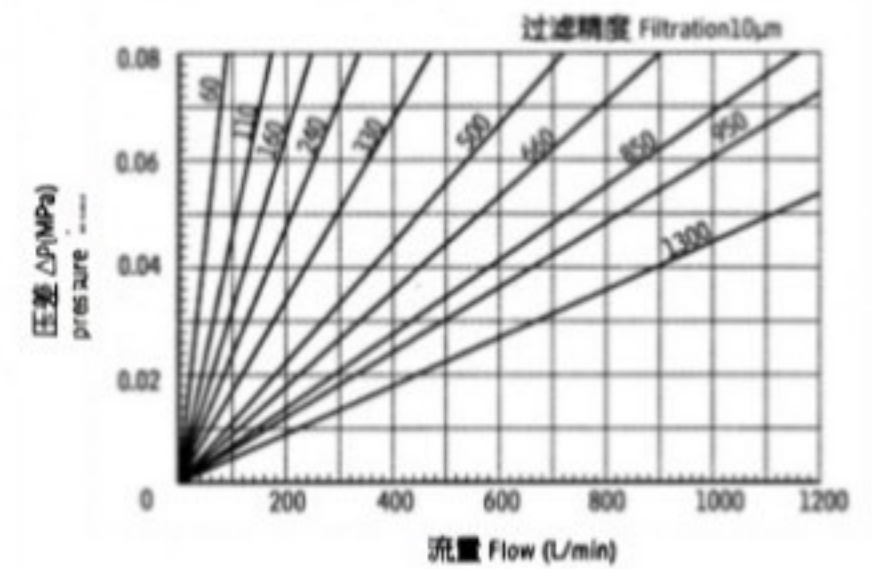
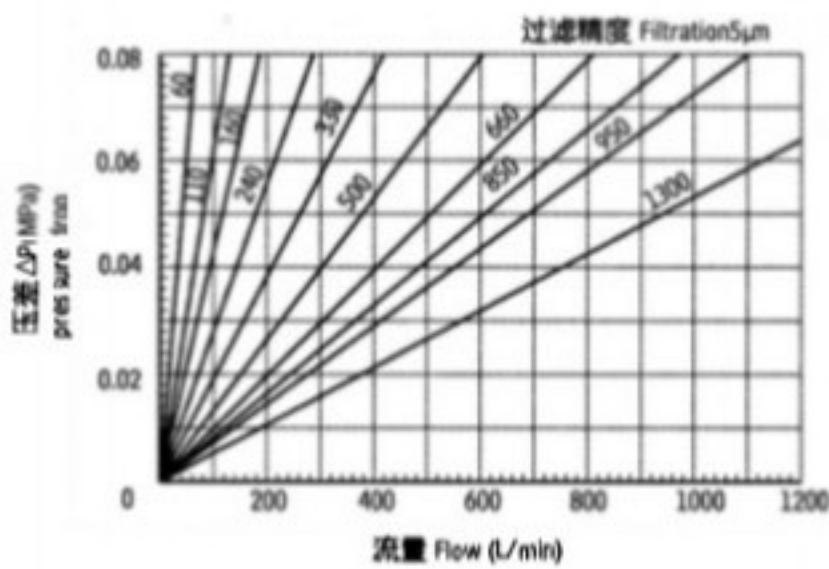
注：用户若需英制接口螺纹，请在型号后注上英制螺纹的尺寸。

(五) 滤芯压差流量曲线 ELEMENT PRESSURE DROP (ΔP) AGAINST FLOW CURVES

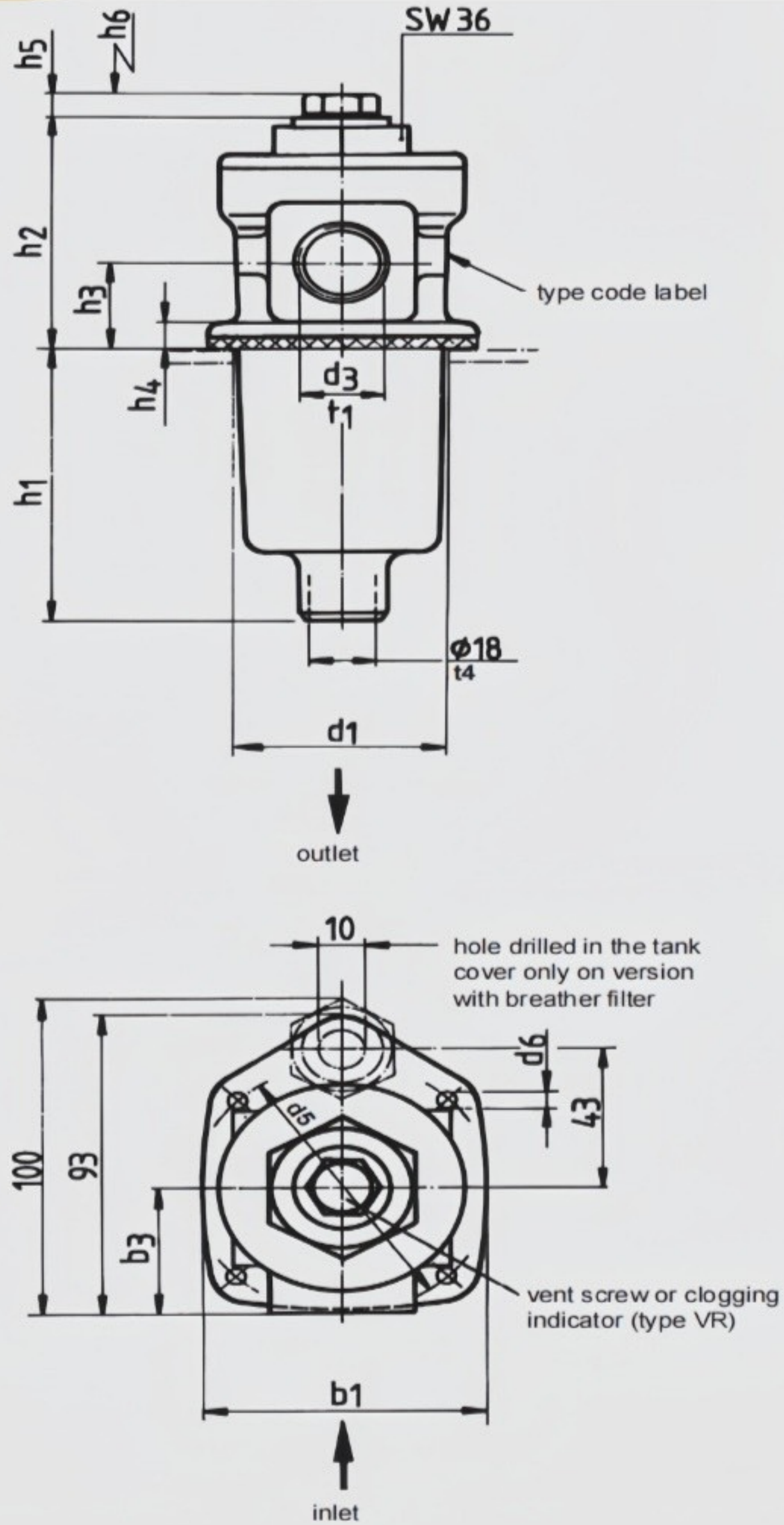
滤芯 CR-*R-*BN/HC (由试验测得数据)
Q- ΔP 曲线 油液粘度 Viscosity 30CST



滤芯 CR-*R-*BN/HC (由试验测得数据)
Q- ΔP 曲线 油液粘度 Viscosity 30CST



RF 30



RF	b1	b3	d1	d3 ¹⁾	d5	d6 ²⁾	h1	h2	h3	h4	h5	h6	t1	t4	Weight including element [kg]	Volume of pressure chamber [l]
30	71	38	60	G ½	78	M4	86	70	27	8	11	90	14	14	0.4	0.18