



Axial Piston high pressure variable pumps are used for the pumping and metering of polyurethane components..

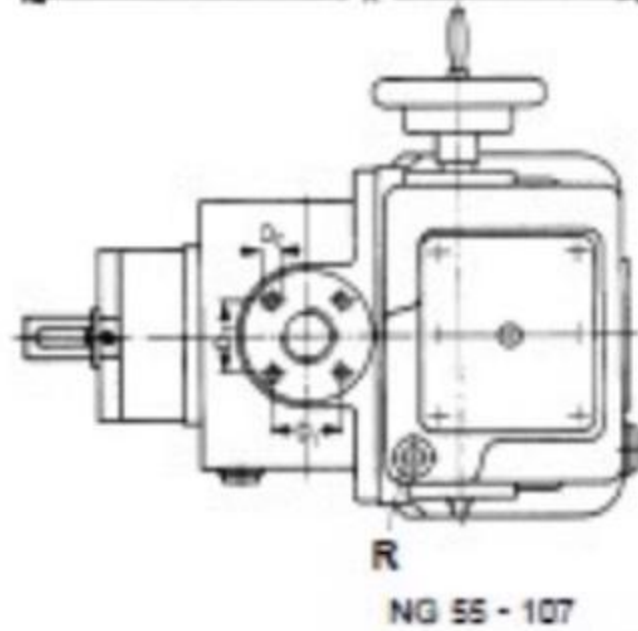
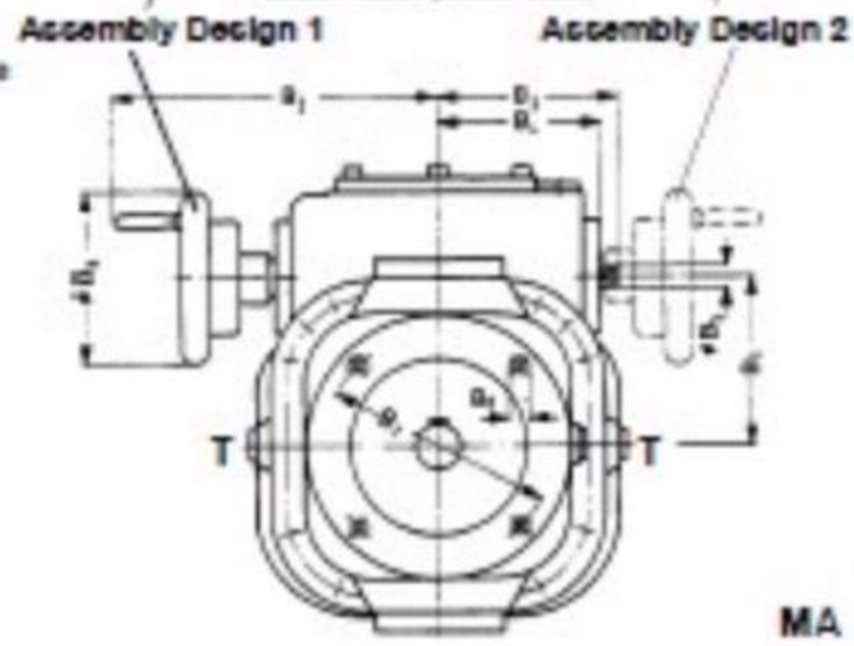
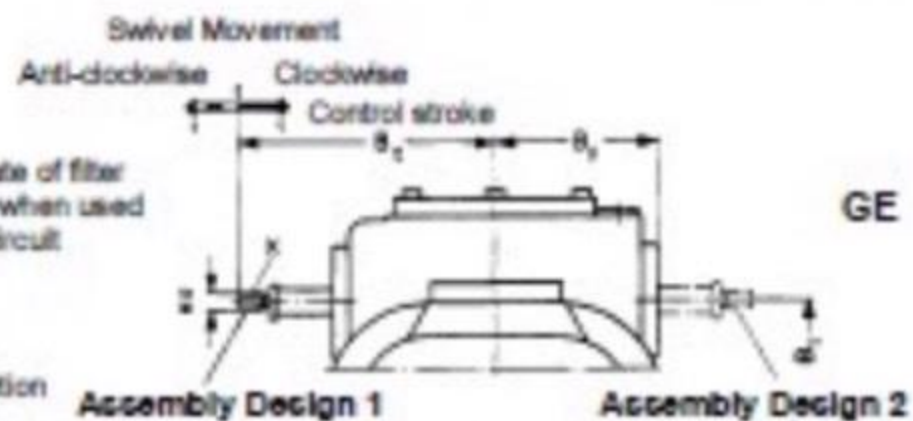
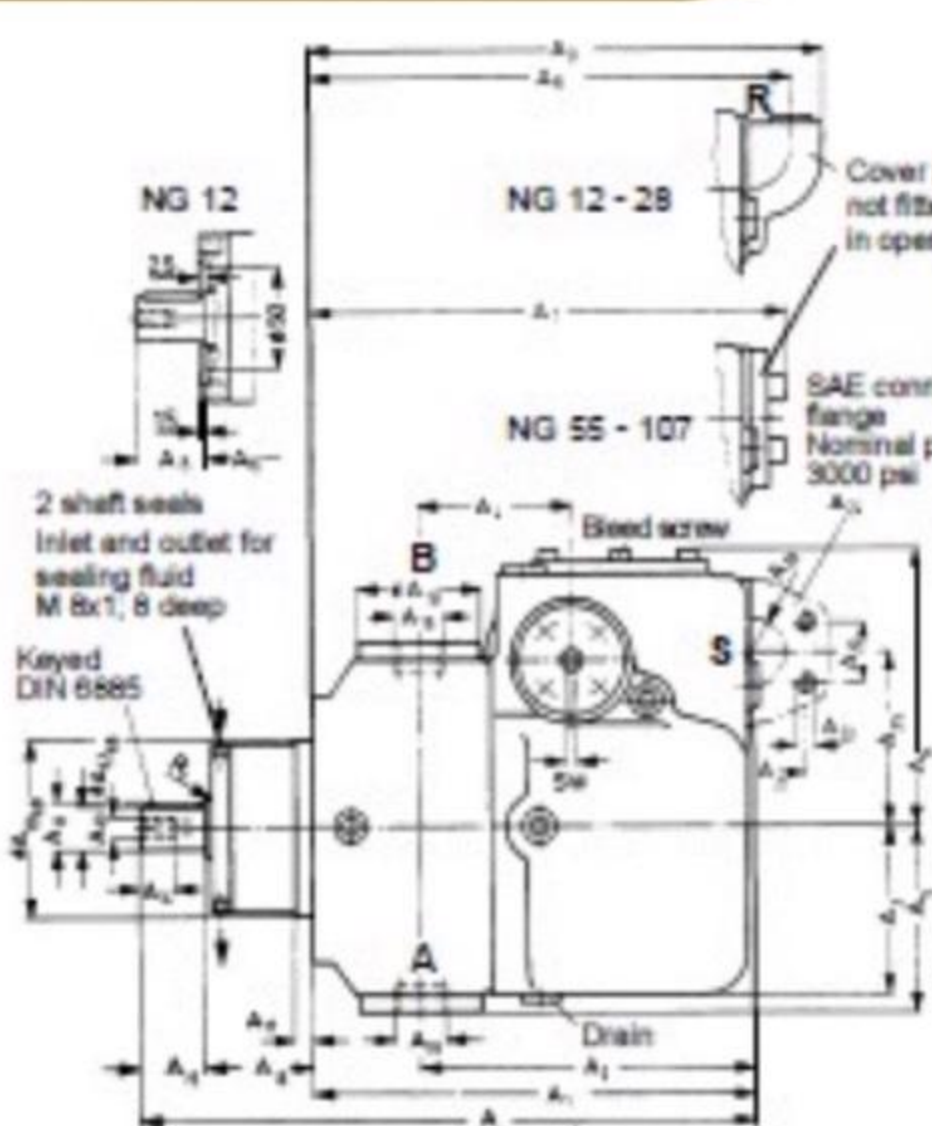
The particular advantages offered by the A2VK variable pumps are:

- High metering accuracy and repeatability of the variable flows
- Manual control via handwheel with built-in-precision measuring scale or alternatively mechanical rod control, for mounting pneumatic or hydraulic control cylinders (remote control)
- Operating pressure up to 250 bar
- Low suction pressure, even when pumping highly viscous fluids
- Very little pulsation of flow
- Compatibility of pump components with materials to be pumped (Polyol, Isocyanat) through use of specially matched materials and special seals
- Quiet operation
- Optimum volumetric efficiency

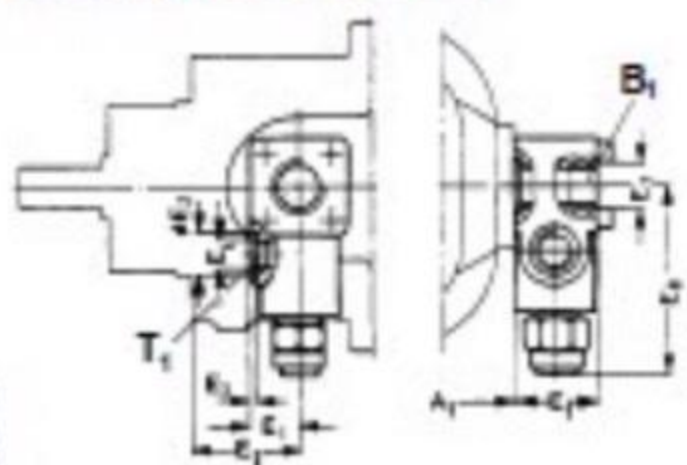
For certain applications:

Constant capacity models available.

Please consult our industrial transmissions sales dept.



Built-on pressure relief valve



- Connections**
- A, B service line
 - B₁ service line
 - S suction line
 - R air bleed
 - T, T₂ case drain

Size	A	A ₁	A ₂	A ₃	A ₄	A ₅	A ₆	A ₇	A ₈	A ₉	A ₁₀	A ₁₁	A ₁₂	A ₁₃	A ₁₄	A ₁₅	A ₁₆	A ₁₇	A ₁₈	A ₁₉ thread	depth	A ₂₀
12	302	222	172	75	80	85	132	-	248	270	80	22,5	20	M 8	18	30	50	8	60	M 22x1,5	14	32
28	357	257	195	95	90	108	142	-	288	308	100	27,9	25	M 8	18	38	62	8	73	M 27x2	18	40
55	440	317	240	120	110	132,5	195	342,5	-	-	125	32,9	30	M 12	28	49	74	10	88	M 33x2	18	50
107	548	388	298	150	148	160	242	413,5	-	-	160	43,1	40	M 12	28	66	94	12	110	M 42x2	20	63

Size	A ₂₁	A ₂₂	A ₂₃ thread	depth	A ₂₄	A ₂₅	B ₁	B ₂	B ₃	B ₄	B ₅	B ₆	B ₇	B ₈	B ₉	B ₁₀	B ₁₁	B ₁₂ thread	depth	B ₁₃	B ₁₄	D ₁ thread	depth	E ₁	E ₂
12	58,7	30,2	M 10	15	1 1/4"	71	71	207	102	94	10	125	100	M 8	12	-	-	32	M 8	9	22,5	-	-	-	-
28	69,9	35,7	M 12	18	1 1/2"	80	85	218	110	102	10	125	125	M 10	15	104,5	162	40	M 8	11	27,5	28	-	-	
55	77,8	42,9	M 12	18	2"	125	120	272	125	115	12	200	160	M 16	24	119,6	160,4	48	M 10	12,5	33	33	-	-	
107	88,9	50,8	M 12	18	2 1/2"	160	150	303	150	132,5	22	200	200	M 16	24	44,5	222,5	60	M 12	15	40	40	-	-	

Size	E ₃	E ₄ thread	depth	E ₅	E ₆	E ₇ thread	depth	E ₈	R ₁	Keyed DIN 6885	A/F	Control stroke s	Port T	Port R
12	-	M 18x1,5	12	50	48	M 22x1,5	14	109,5	0,4	A 8x8x25,5	9	-	M 12x1,5	M 27x1,5
28	1	M 22x1,5	14	62	50	M 27x2	18	115,5	0,8	AS 8x7x32,5	9	25,9	M 16x1,5	M 27x1,5
55	1,5	M 27x2	18	77	58	M 33x2	18	133,5	1,8	AS 8x7x43	10	31,7	M 18x1,5	M 27x1,5
107	1,5	M 33x2	18	90	65	M 42x2	20	166	1,8	AS 12x8x57	19	40,1	M 18x1,5	M 42x1,5