

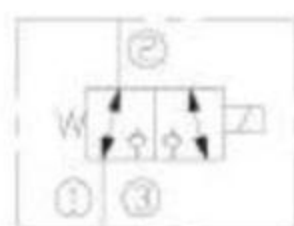
## YSV-10-3-L

二位三通电磁阀 锥阀型  
专利号:201120144683.X

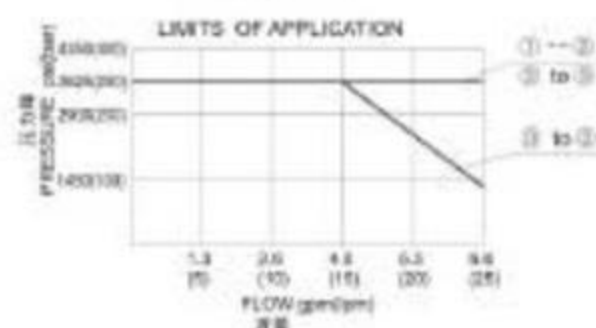
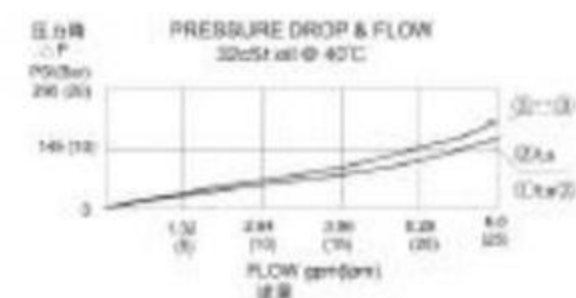
### 工作 OPERATION

When de-energized, the valve allows flow from ② to ①, while blocking flow at ③.  
When energized, the valve allows flow from ② to ③, while blocking flow at ①.  
失电时, ②和①通, 与③不通; 得电时, ②和③通, 与①不通。

### SYMBOL



### 压力 - 流量曲线 PRESSURE DROP VS.FLOW



### 技术参数 SPECIFICATIONS

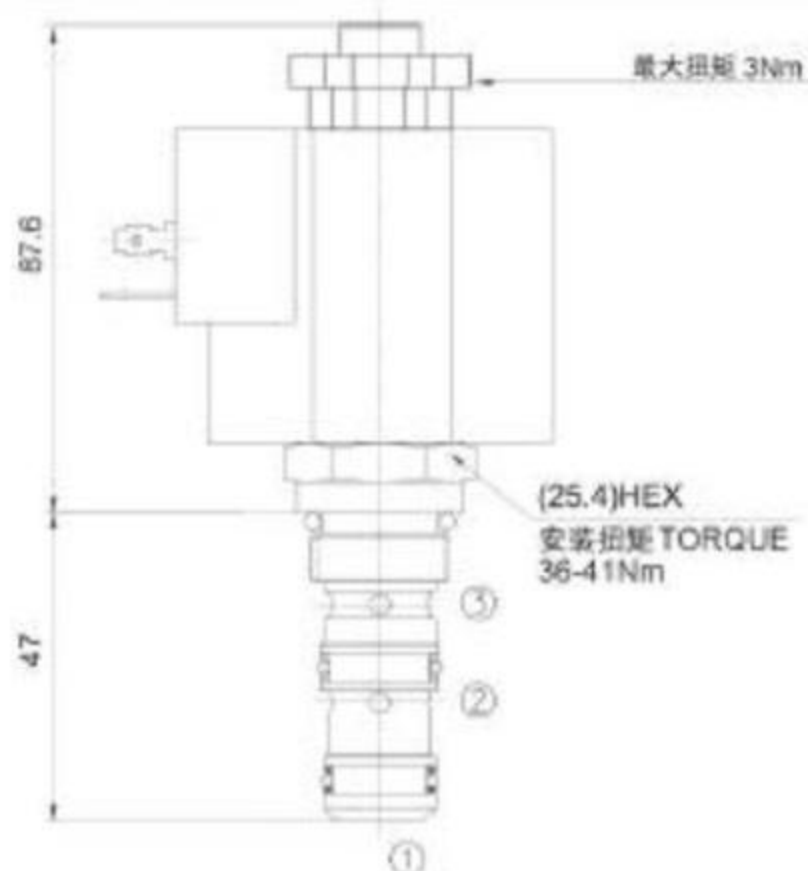
工作压力 (Operating Pressure):	250bar
流量 (Flow):	See PERFORMANCE CHARACTERISTIC graph.
内泄漏 (Internal Leakage):	<1 drops/min (滴/分) Our ideal leakage: <0.05 drops/min
温度 (Temperature):	-40° F to +212° F (-40° C to +100° C)
线圈额定负载 (Coil Duty Rating):	Continuous from 85% to 115% of nominal voltage (连续工作电压)
油液 (Fluids):	Mineral-based fluids with viscosities of 7.4 to 420 cSt. (矿物油粘度)
腔孔 (Cavity):	10-3

### 安装尺寸 INSTALLATION DIMENSIONS

Coil Must Be Installed With Letter Up

安装线圈时, 字母必须朝上。

Unit=Millimeters



### 订货代号 TO ORDER

YSV - 10 - 3 - L - \* - \* - \*

1 2 3 4 5 6 7

- 1 功能  
YSV=电磁阀 Solenoid Valve
- 2 规格 Size  
10=10规格
- 3 流通类型 Flow Path  
3=三通
- 4 泄漏  
L=零泄漏 Zero Leakage
- 5 手控应急  
空白 Blank=无手控应急 None  
M=手控应急 Manual Override

- 6 电压 Voltage  
1=12 VDC 2=24 VDC  
3=110 VAC 4=220 VAC
- 7 线圈连接 Coil Connection  
D= Double Lead 双线  
H= Hirschmann 三通  
S= Single Lead 单线  
ER= Deutsch Connector(Water-proof Coil)  
德意志连接器 (防水线圈)  
B= Double Spade 双插

## YSV6-16-2 NCSP

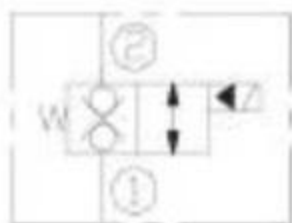
二位二通电磁阀 双向止回型

### 工作 OPERATION

When de-energized, the valve blocks flow in both directions. When energized, the poppet shifts to allow flow in either direction.

失电时, 此阀截止油液双向流动;  
得电时, ②到①, ①到②互通。

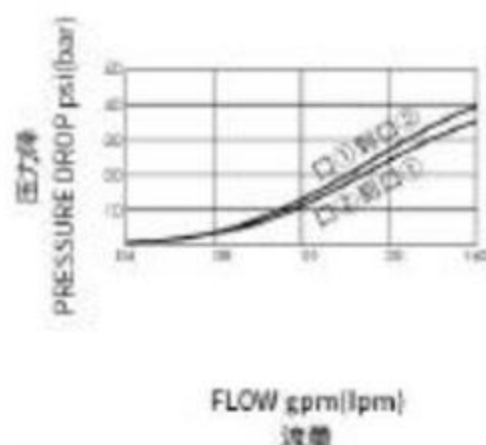
### SYMBOL



### 压力 - 流量曲线 PRESSURE DROP VS. FLOW

② to ① -- (Energized) 得电时  
① to ② -- (Energized) 得电时

32cSt oil @ 40°C



### 技术参数 SPECIFICATIONS

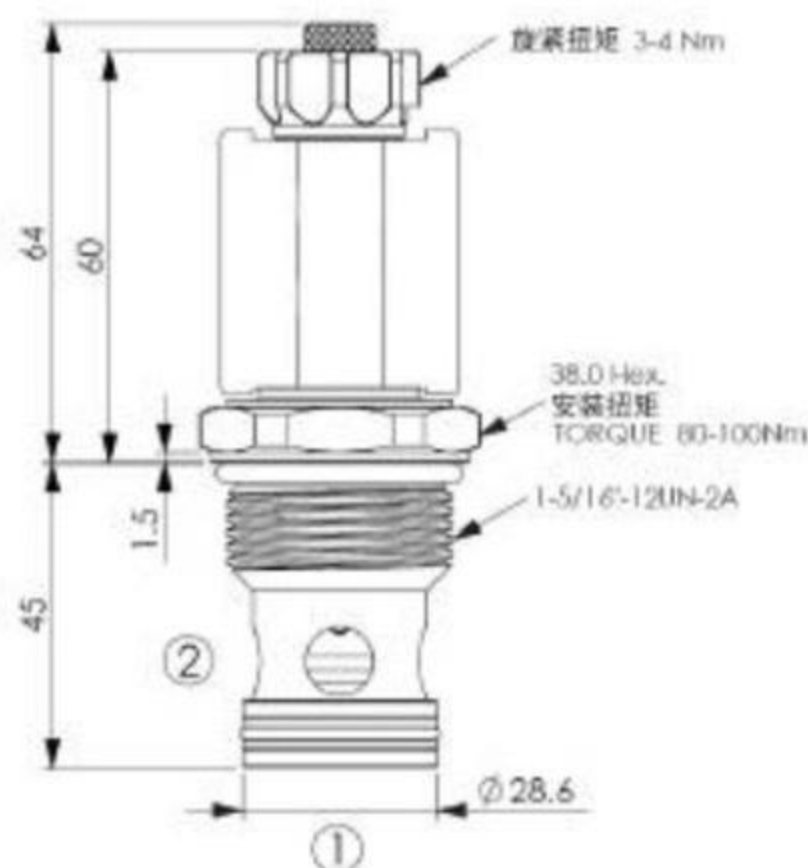
最大工作压力 (Max. Operating Pressure):	350bar
流量 (Flow):	See PRESSURE DROP VS. FLOW graph.
内泄漏 (Internal Leakage):	5cups/min (滴 / 分) max. at 350 bar
温度 (Temperature):	-40° F to +212° F (-40° C to +100° C)
线圈额定负载 (Coil Duty Rating):	Continuous from 85% to 115% of nominal voltage (连续工作电压)
油液 (Fluids):	Mineral-based fluids with viscosities of 7.4 to 420 cSt. (矿物油粘度)
端口 (Cavity):	16-2

### 安装尺寸 INSTALLATION DIMENSIONS

Coil Must Be Installed With Letter Up

安装线圈时, 字母必须朝上。

Unit: Millimeters



### 订货代号 TO ORDER

YSV6 - 16 - 2 NCS P - \* - \* \*

- |   |   |
|---|---|
| <p>1 功能<br/>YSV6= 电磁阀 Solenoid Valve</p> <p>2 规格 Size<br/>16-16 规格</p> <p>3 流道类型 Flow Path<br/>2= 二通</p> <p>4 模式<br/>NCS= 常闭, 双向截止 Normally closed, Reverse Blocking<br/>得电, 双向流动 Reversed flow energized</p> <p>5 类型<br/>P= 锥阀型 Poppet</p> | <p>6 手控装置<br/>空白 Blank= 无手控装置 None<br/>M= 手控装置 Manual Override</p> <p>7 电压 Voltage<br/>1=12 VDC<br/>2=24 VDC<br/>3=110 VAC<br/>4=220 VAC</p> <p>8 线圈连接 Coil Connection<br/>D= Double Lead 双线<br/>H= Hirschmann 三插<br/>ER= Deutsch Connector (Water-proof Coil)<br/>德意志插座 (防水线圈)</p> |
|---|---|

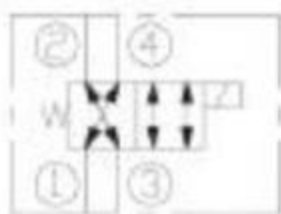
## YSV2-10-4 CO

二位四通电磁阀 滑阀型

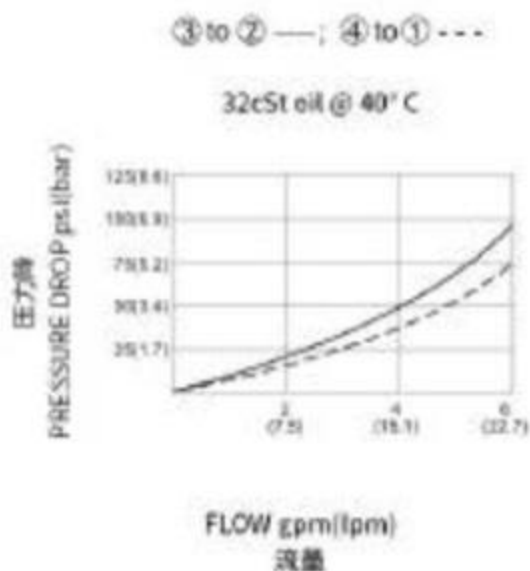
### 工作 OPERATION

When de-energized, the valve allows flow from ③ to ② and from ④ to ①. When energized, the cartridge's spool shifts to allow flow from ③ to ④ and from ② to ①. 失电时, ③和②通, ④与①通; 得电时, ③和④通, ②与①通。

### SYMBOL



### 压力 - 流量曲线 PRESSURE DROP VS. FLOW



### 技术参数 SPECIFICATIONS

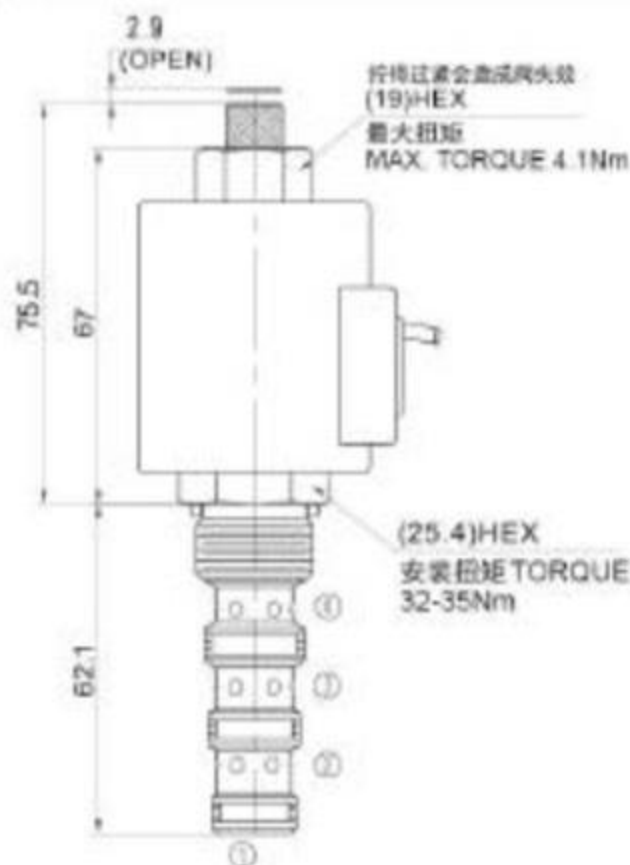
工作压力 (Operating Pressure):	207bar
流量 (Flow):	See PERFORMANCE CHARACTERISTIC graph.
内泄漏 (Internal Leakage):	(per land) 82cc/min (毫升 / 分) max. at 207bar
温度 (Temperature):	-40° F to +212° F (-40° C to +100° C)
线圈额定负载 (Coil Duty Rating):	Continuous from 85% to 115% of nominal voltage (连续工作电压)
油液 (Fluids):	Mineral-based fluids with viscosities of 7.4 to 420 cSt (矿物油粘度)
腔孔 (Cavity):	10-4

### 安装尺寸 INSTALLATION DIMENSIONS

Coil Must Be Installed With Letter Up

安装线圈时, 字母必须朝上。

Unit=Millimeters



### 订货代号 TO ORDER

YSV2 - 10 - 4 CO - \* - \* \*

1 2 3 4 5 6 7

- |   |  |
|---|--|
| 1 功能<br>YSV2= 电磁阀 Solenoid Valve                          | 6 电压 Voltage<br>1=12 VDC 2=24 VDC<br>3=110 VAC 4=220 VAC<br>5=10 VDC   |
| 2 规格 Size<br>10=10 规格                                     | 7 线圈连接 Coil Connection<br>D= Double Lead 双插<br>H= Hirschmann 三插<br>C= Conduit 带护套<br>ER= Deutsch Connector<br>(Water-proof Coil)<br>带罩连接器 (防水线圈)<br>B= Double Spade 双插 |
| 3 流道类型 Flow Path<br>4= 四通                                 |  |
| 4 模式<br>CO=Crossover                                      |  |
| 5 手控应急<br>空白 Blank= 无手控应急 None<br>M= 手控应急 Manual Override |  |

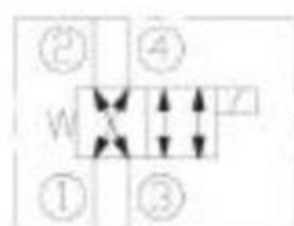
# YSV2-08-4 CO

二位二通电磁阀 滑阀型

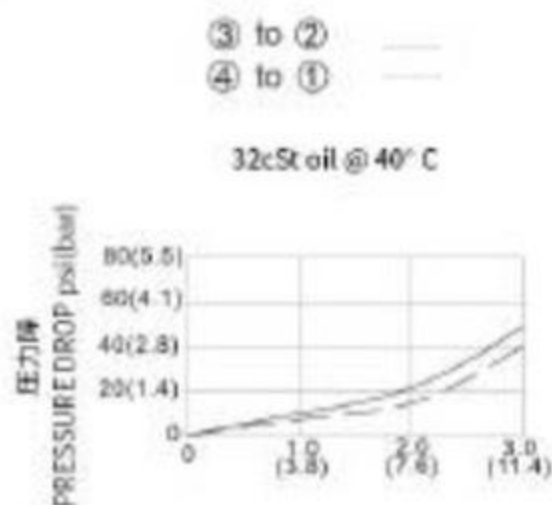
## 工作 OPERATION

When de-energized, the valve allows flow from ③ to ② and from ④ to ①. When energized, the cartridge's spool shifts to allow flow from ② to ④ and from ① to ③. 失电时, ③和②通, ④和①通; 得电时, ②和④通, ①和③通。

## SYMBOL



## 压力 - 流量曲线 PRESSURE DROP VS. FLOW



## 技术参数 SPECIFICATIONS

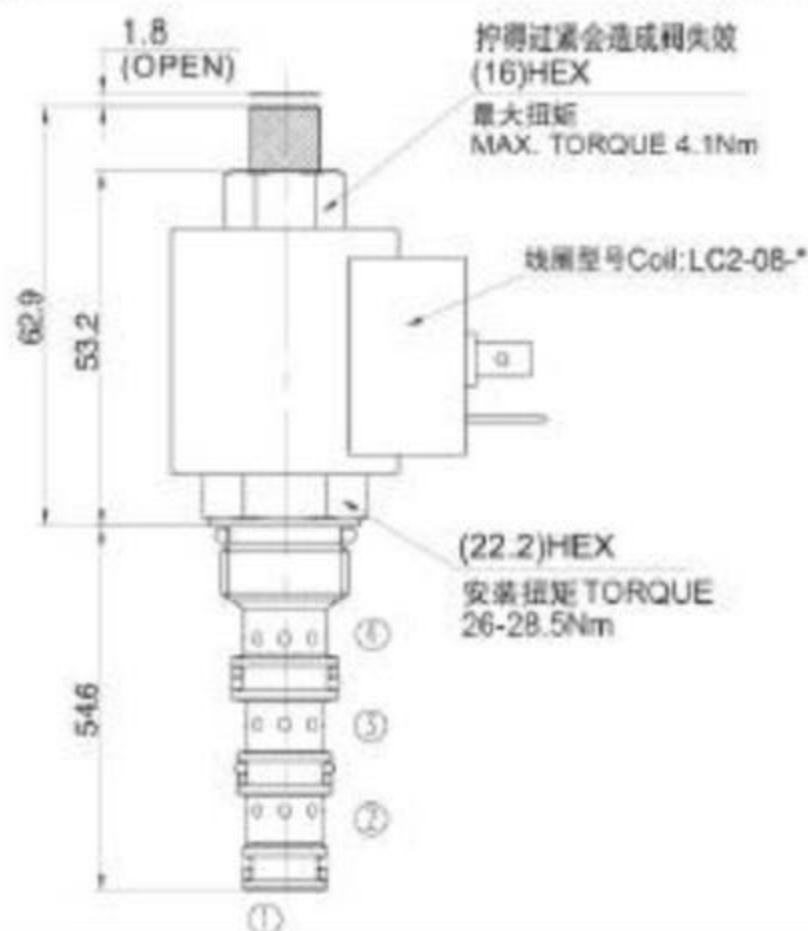
工作压力 (Operating Pressure):	207bar
流量 (Flow):	See PERFORMANCE CHARACTERISTIC graph
内泄漏 (Internal Leakage):	(per line) 82cc/min (毫升 / 分) max at 207bar
温度 (Temperature):	-40° F to +212° F / -40° C to +100° C
线圈额定负载 (Coil Duty Rating):	Continuous from 85% to 115% of nominal voltage (连续工作电压)
油液 (Fluids):	Mineral-based fluids with viscosities of 7.4 to 420 cSt. (矿物油粘度)
插孔 (Cavity):	08-4

## 安装尺寸 INSTALLATION DIMENSIONS

Coil Must Be Installed With Letter Up

安装线圈时, 字母必须朝上。

Unit: Millimeters



## 订货代号 TO ORDER

YSV2 - 08 - 4 CO - \* - \* \*

1 2 3 4 5 6 7

- |   |   |
|---|---|
| 1 功能<br>YSV2= 电磁阀 Solenoid Valve                          | 6 电压 Voltage<br>1=12 VDC 2=24 VDC<br>3=110 VAC 4=220 VAC<br>5=10 VDC 7=48 VDC<br>8=24 VAC   |
| 2 规格 Size<br>08-08 规格                                     | 7 线圈连接 Coil Connection<br>D= Double Load 双线圈<br>S= Single Load 单线圈<br>H= Hirschmann 三插<br>ER= Deutsch Connector<br>(Water-proof Coil)<br>德意志插座 (防水线圈)<br>E= Single Stud 单接柱<br>B= Double Spade 双插 |
| 3 流通类型 Flow Path<br>4= 四通                                 |   |
| 4 模式<br>CO=Crossover                                      |   |
| 5 手控应急<br>空白 Blank= 无手控应急 None<br>M= 手控应急 Manual Override |   |