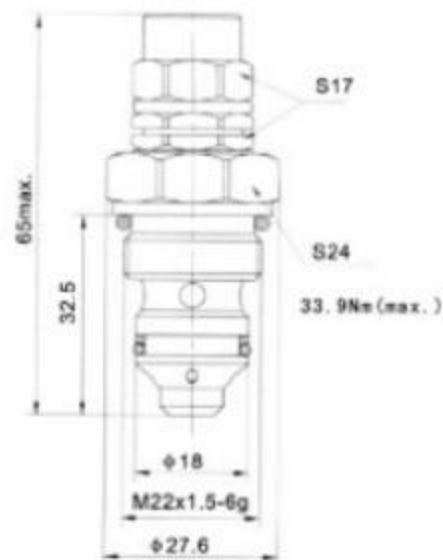


YF08-08-00



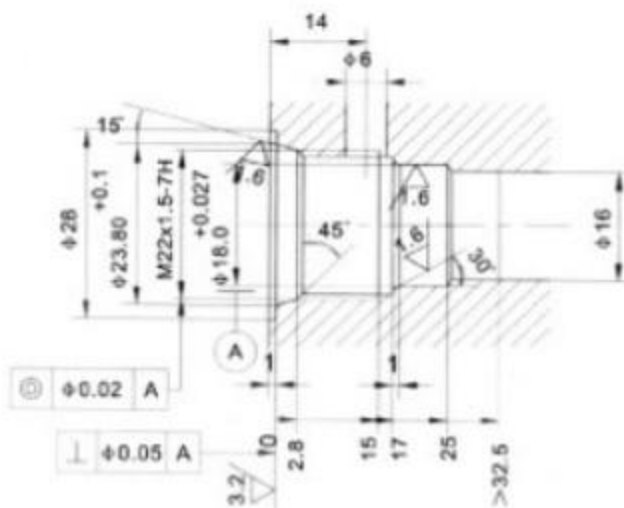
Symbol



**Technical specification**

- Max. working pressure: 160bar
- Max. flow rate: See pressure drop-flow curve
- Pressure range: 2~160bar
- Internal leakage:  $\leq 5$  drops/min
- Operating temperature: -30~+110°C
- Oil cleanness: 25u m or better
- Standard setting pressure: 90bar

**Cavity dimensions**



**Pressure drop-flow curve** 32 cST Oil/45°C

