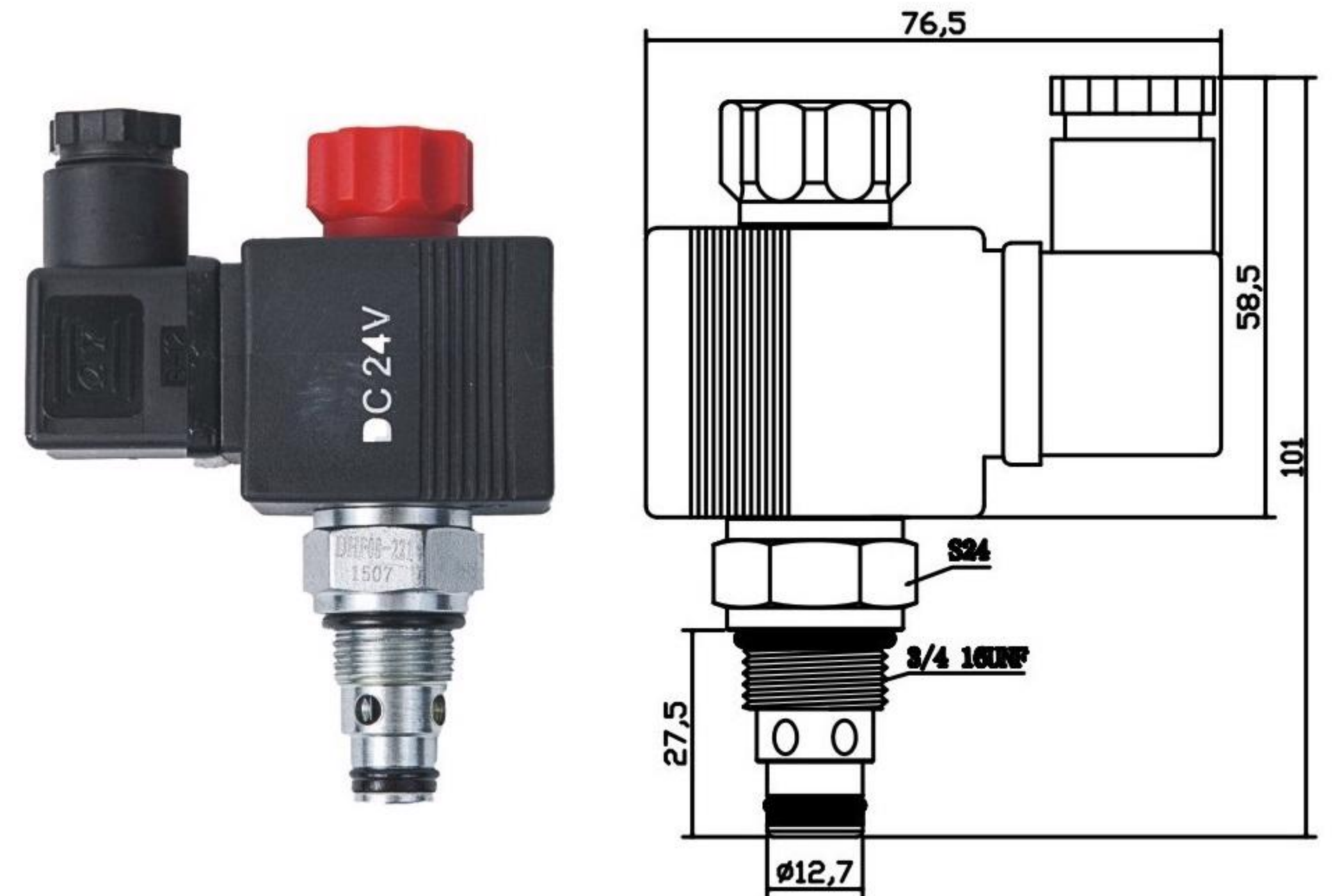


DHF08-221-00 Normally Open

Description of the process

When energized, the valve acts as a check valve, allowing flow from ① to ②, while blocking flow from ② to ①; When de-energized, allowing flow from ② to ①, while ① to ② is severely restricted.

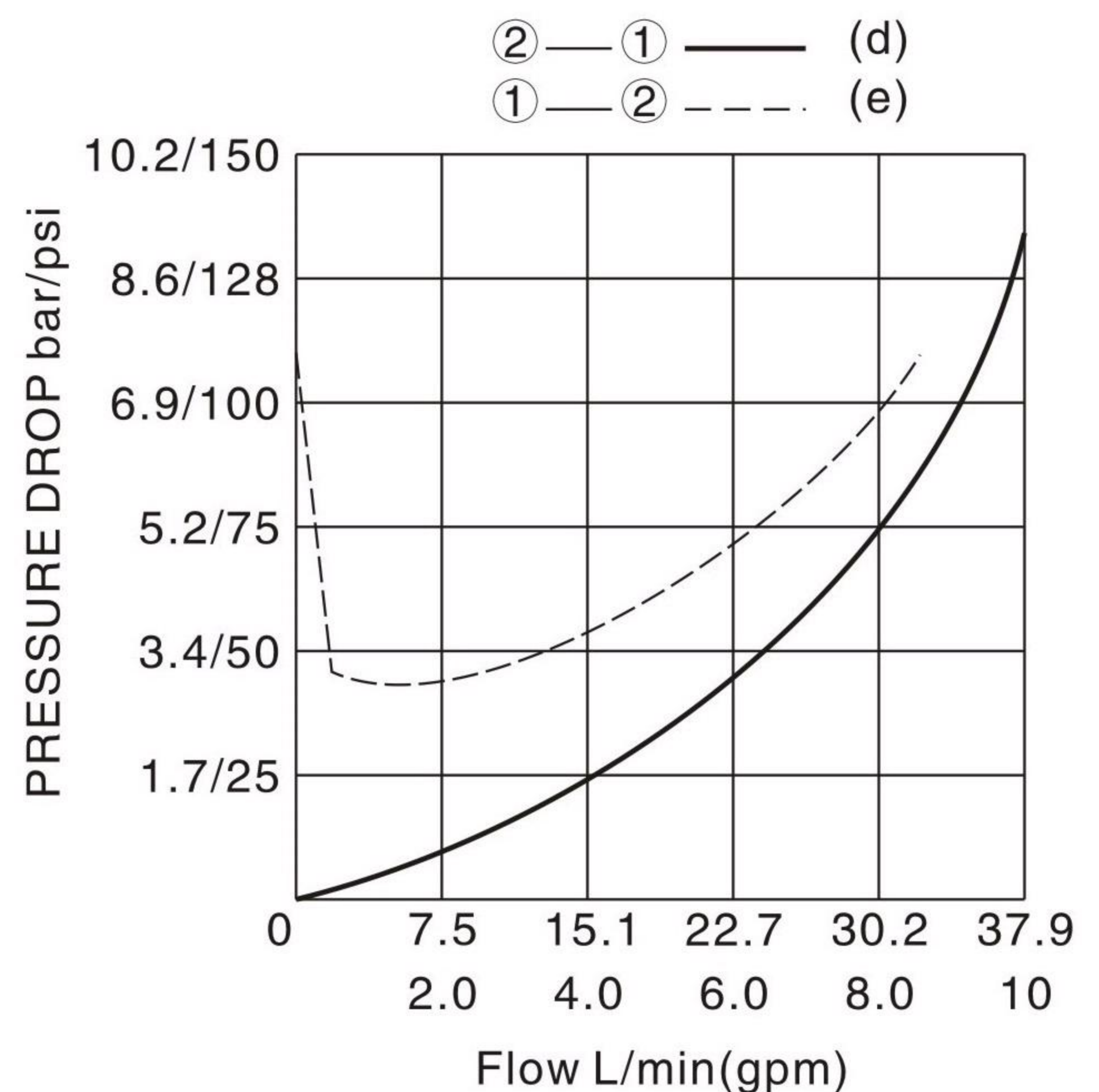


Specifications

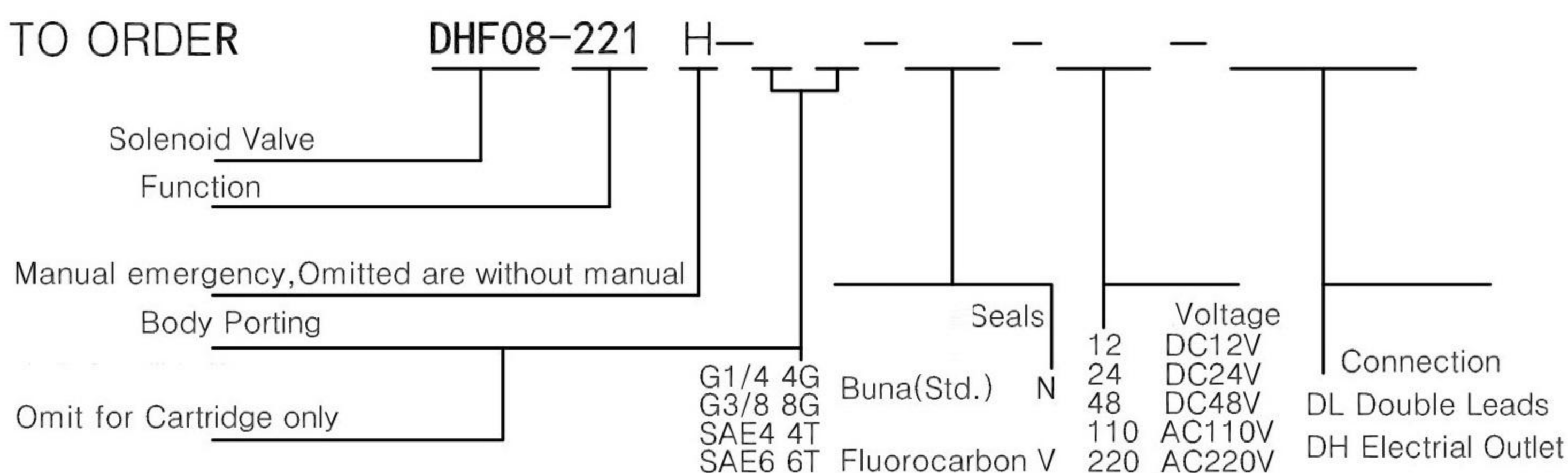
Max. Working Pressure	250bar
Flow Max.	See Performance
Internal Leakage	0.3ml/min at 210bar 5drops/min
Operating Volt	12VDC、24VDC、 110VAC、220VAC
Min Voltage Requires	85% of normal voltage
Filtration Of Oil	20 μm or better
Type of Standard Cavity	T4-1/082
Temperature	~30~+100°C Standard Buna Seals
Standard Block Model	T4-11*/14*/16*

Performance

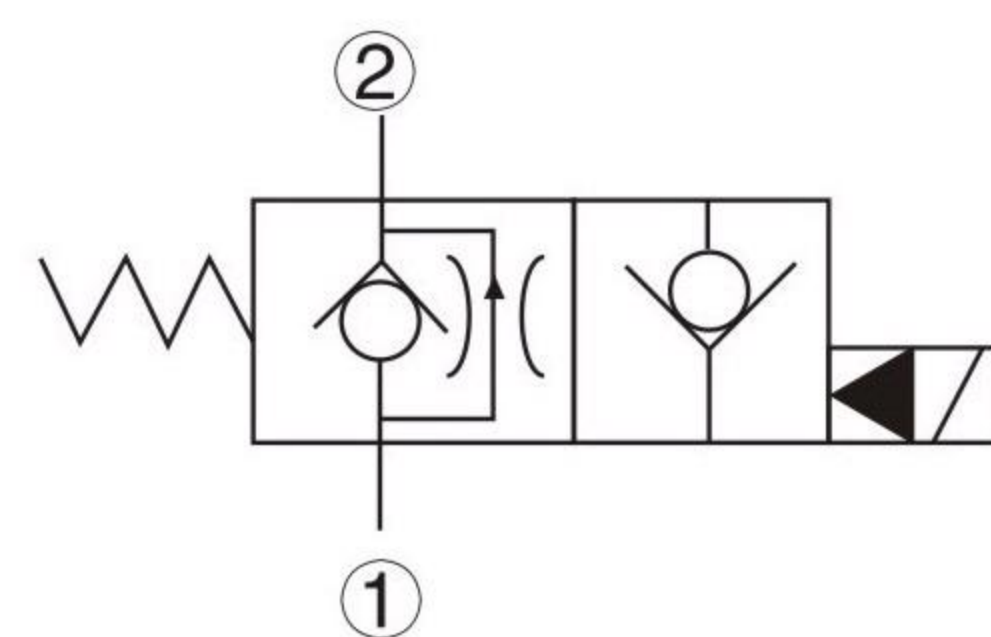
32 cST Oil/40°C



TO ORDER



Symbol

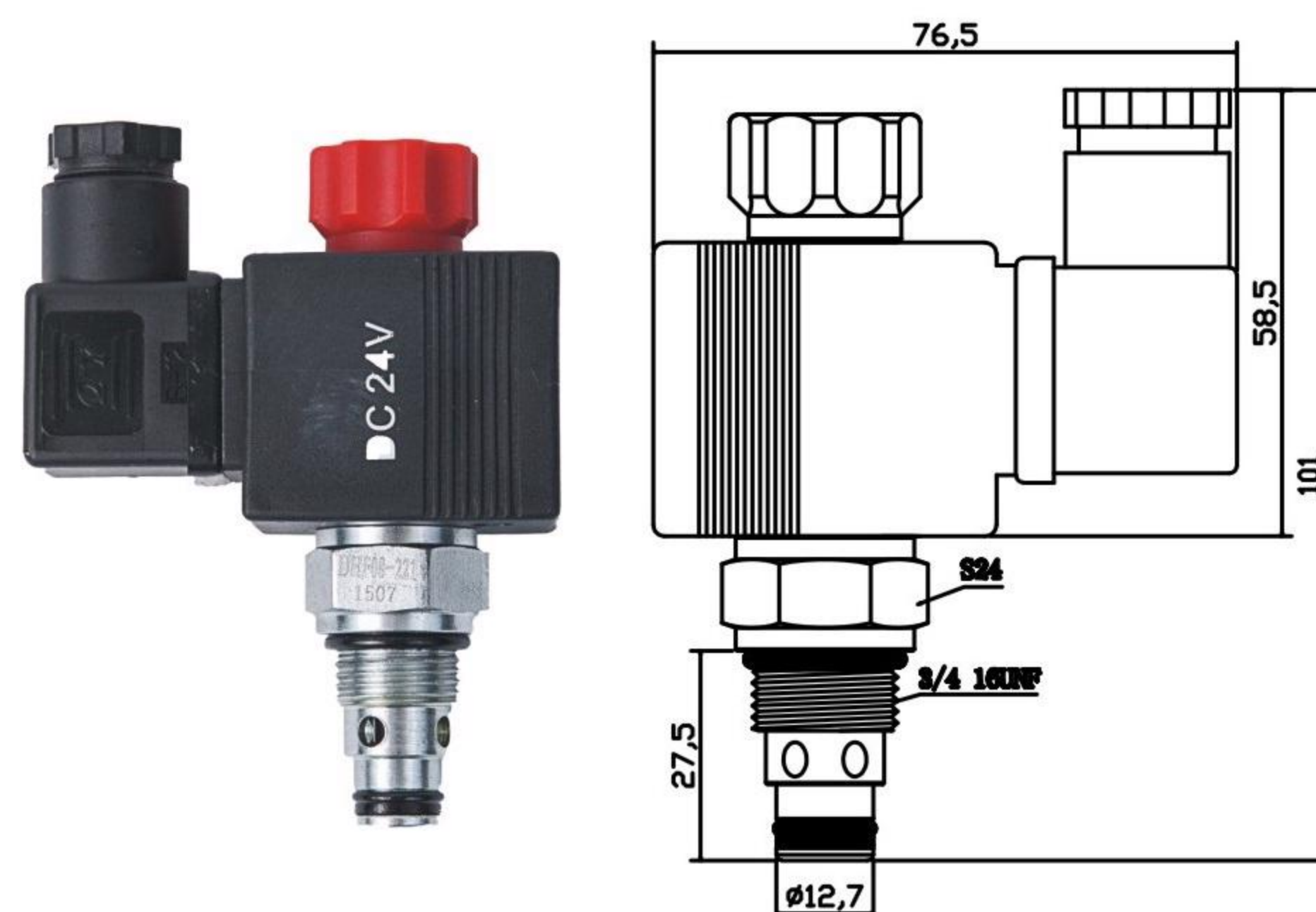


Two Way Two Position(Poppet-type)

DHF08-221-00 Normally Open

● Description of the process

When energized, the valve acts as a check valve, allowing flow from ① to ②, while blocking flow from ② to ①; When de-energized, allowing flow from ② to ①, while ① to ② is severely restricted.



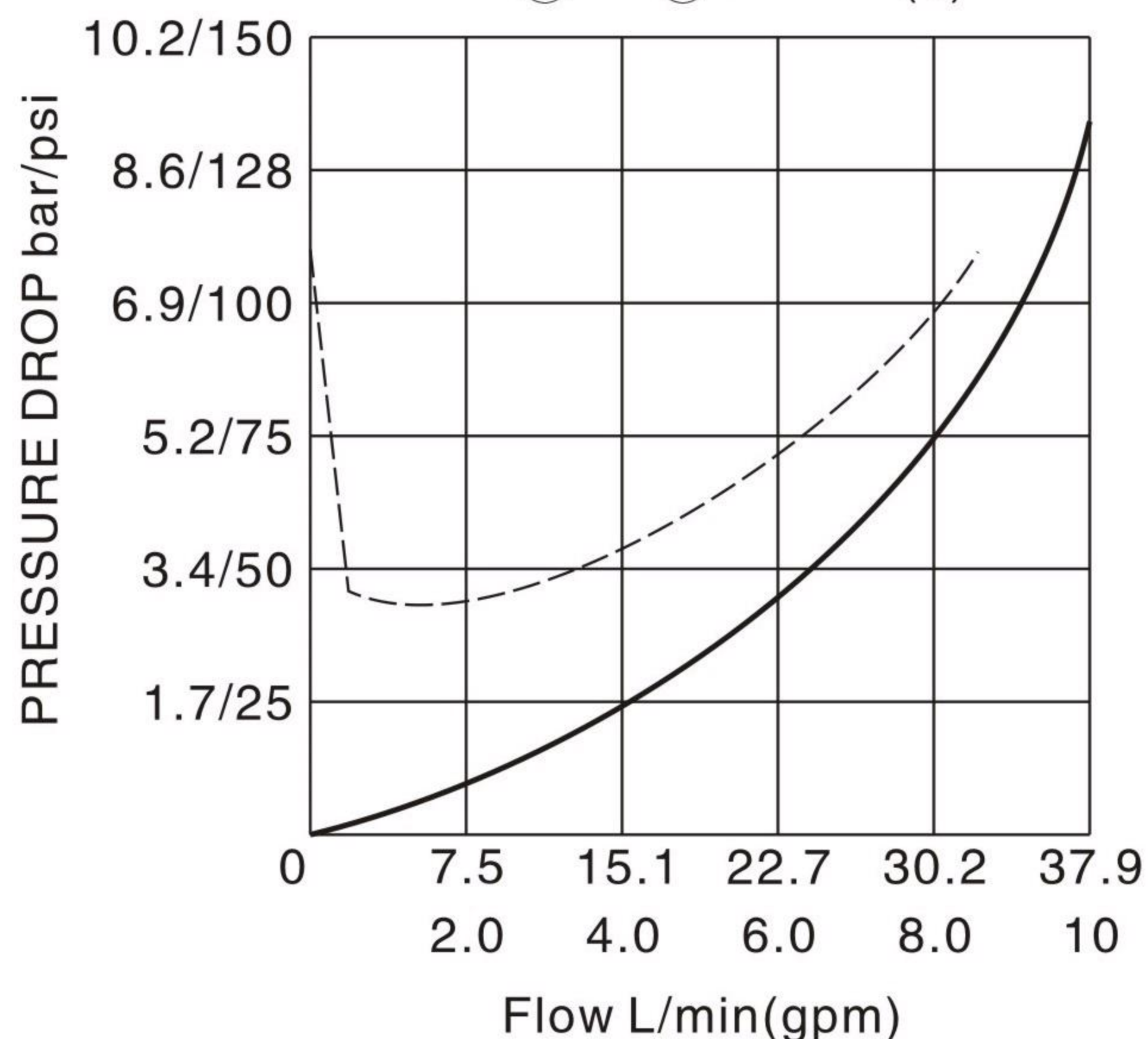
● Specifications

Max. Working Pressure	250bar
Flow Max.	See Performance
Internal Leakage	0.3ml/min at 210bar 5drops/min
Operating Volt	12VDC、24VDC、 110VAC、220VAC
Min Voltage Requires	85% of normal voltage
Filtration Of Oil	20 μ m or better
Type of Standard Cavity	T4-1/082
Temperature	~30~+100℃ Standard Buna Seals
Standard Block Model	T4-11*/14*/16*

● Performance

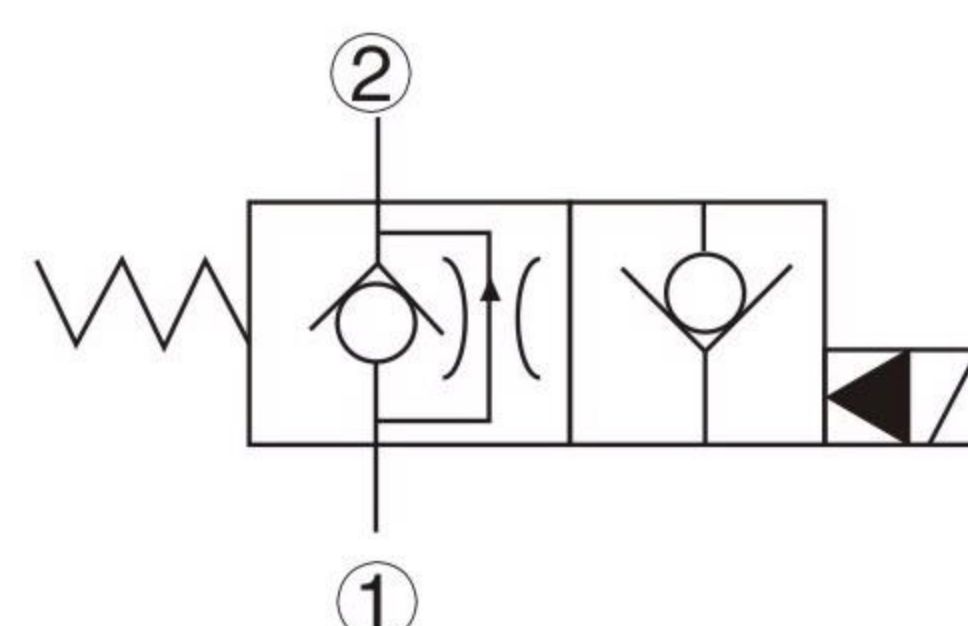
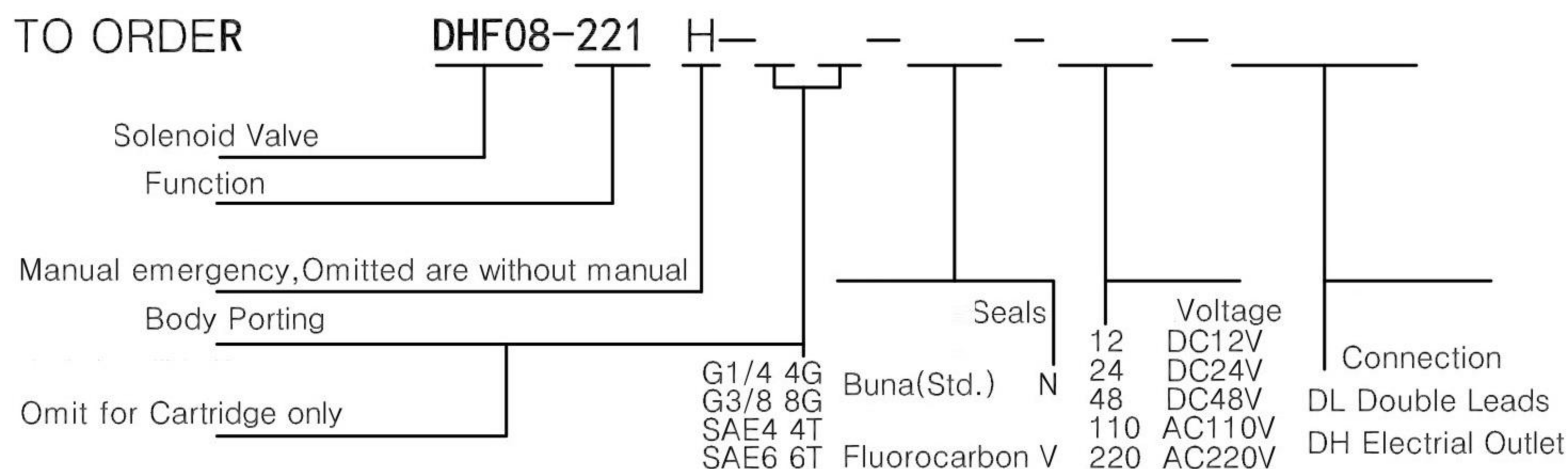
32 cST Oil/40℃

② — ① ——— (d)
① — ② - - - - (e)



● Symbol

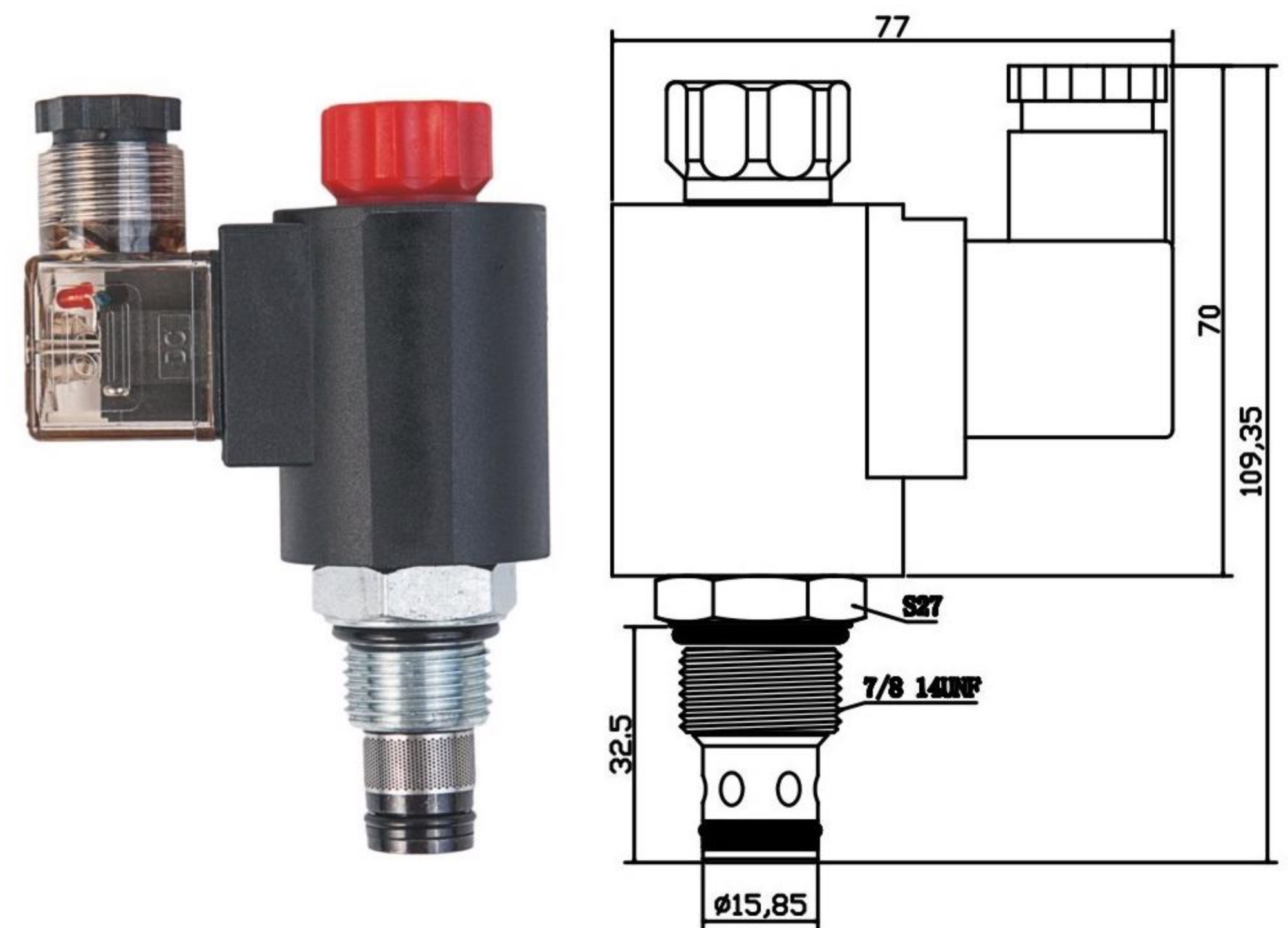
TO ORDER



DHF10-221-00 Normally Open

Description of the process

When energized, the valve acts as a check valve, allowing flow from ② to ①, while blocking flow from ① to ②; When de-energized, allowing flow from ② to ①, while ① to ② is severely restricted. To override, push button and remain, the valve blocking from ② to ①; Release the button, then the valve allowing flow from ② to ①.



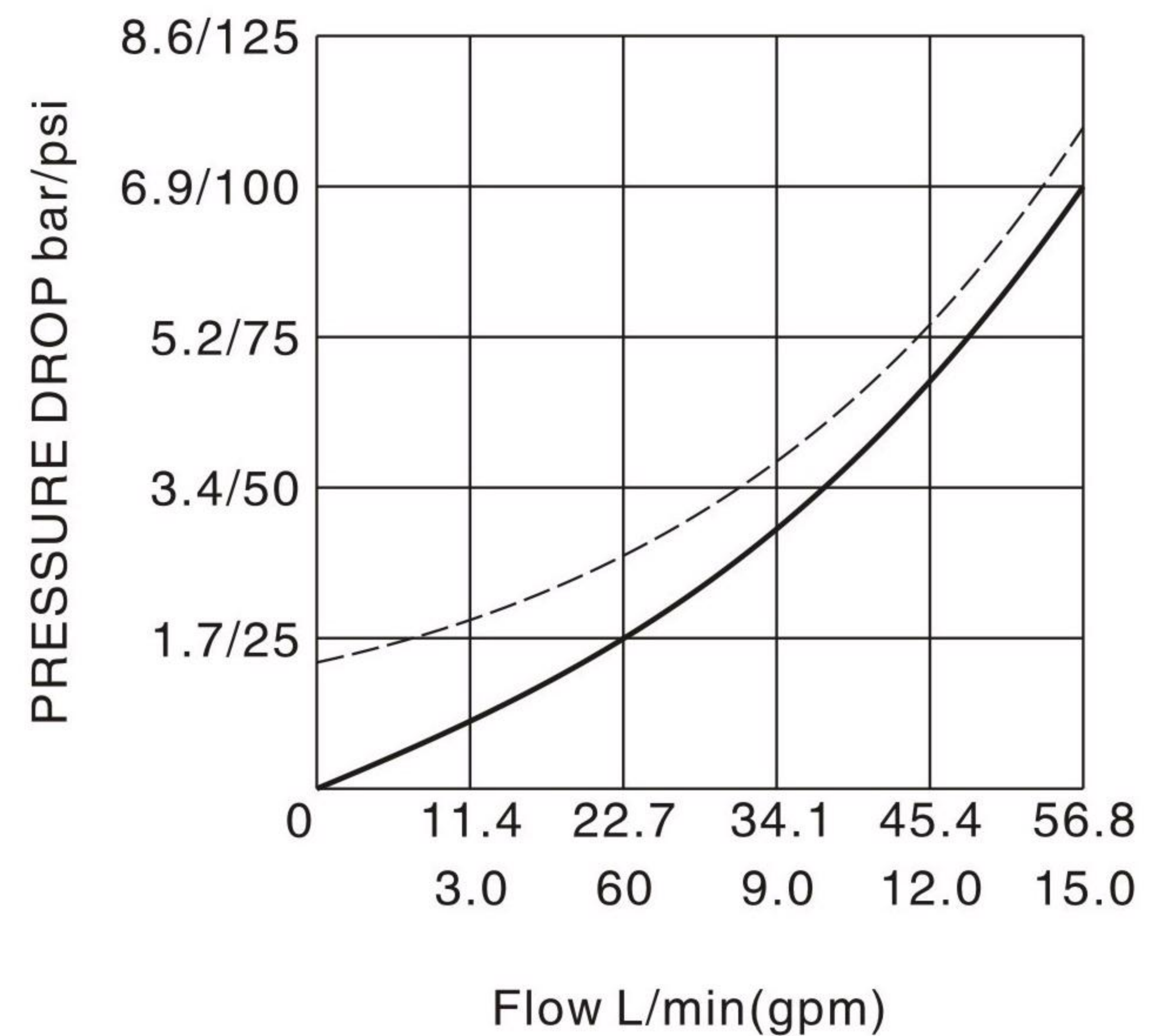
Specifications

Max. Working Pressure	250bar
Flow Max.	See Performance
Internal Leakage	0.3ml/min at 210bar 5drops/min
Operating Volt	12VDC、24VDC、 110VAC、220VAC
Min Voltage Requires	85% of normal voltage
Filtration Of Oil	20 μ m or better
Type of Standard Cavity	T5-1/102
Temperature	~30~+100°C Standard Buna Seals
Standard Block Model	T5-11*/13*/14*/16*

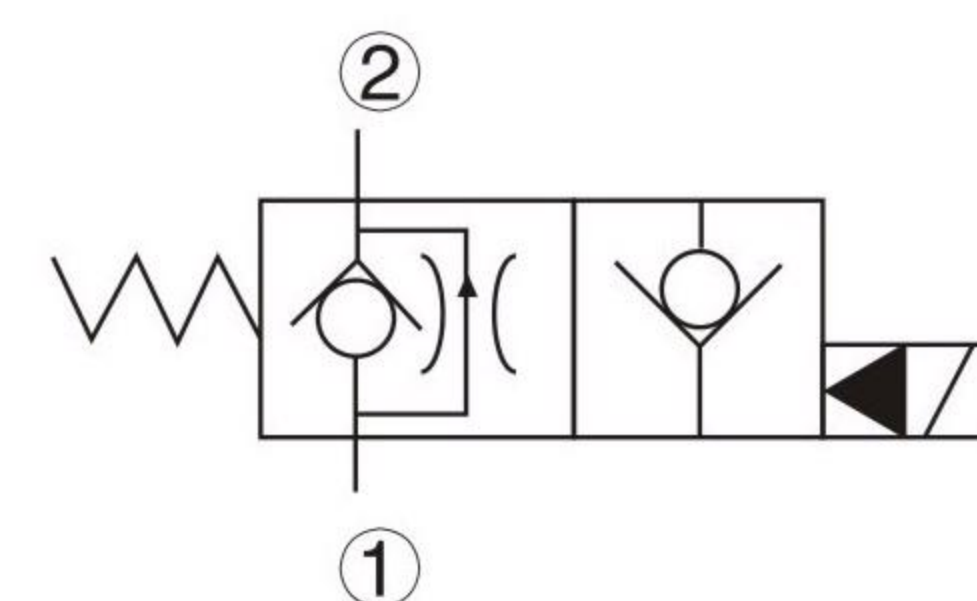
Performance

32 cST Oil/40°C

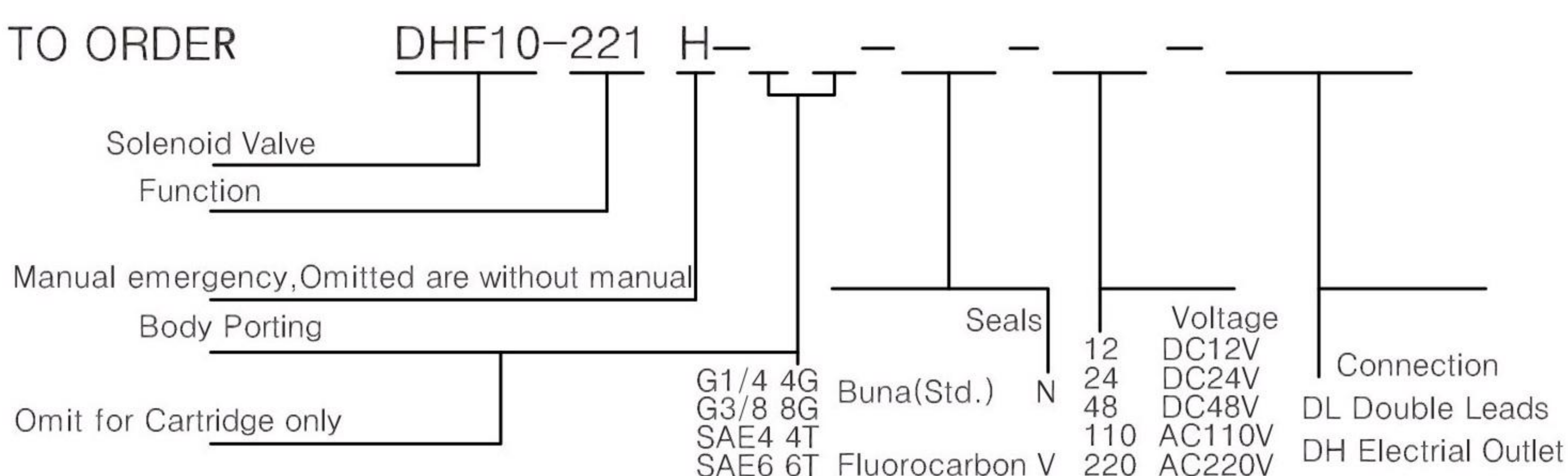
② — ① — (d)
① — ② — (e)



Symbol



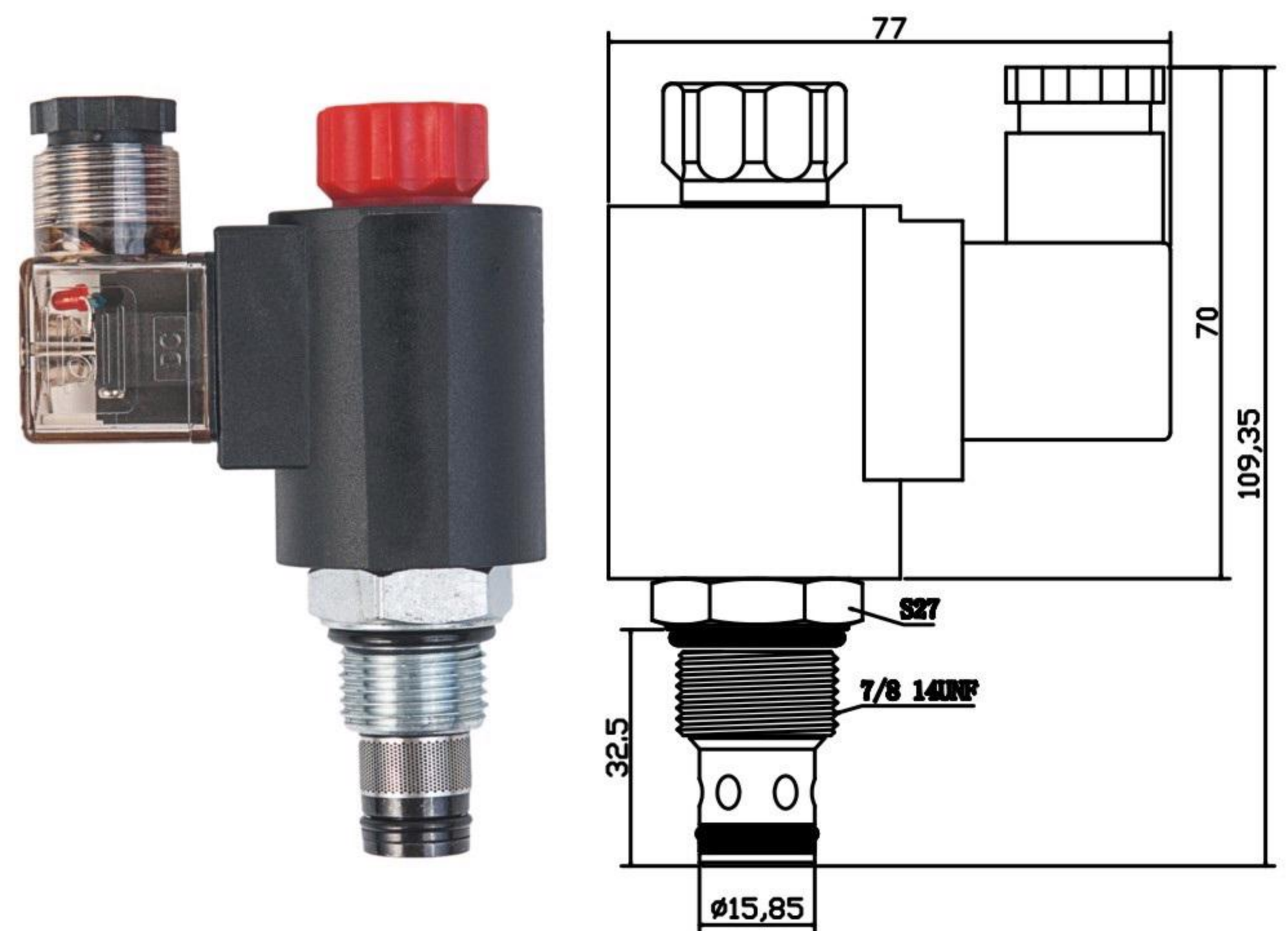
TO ORDER



DHF10-221-00 Normally Open

● Description of the process

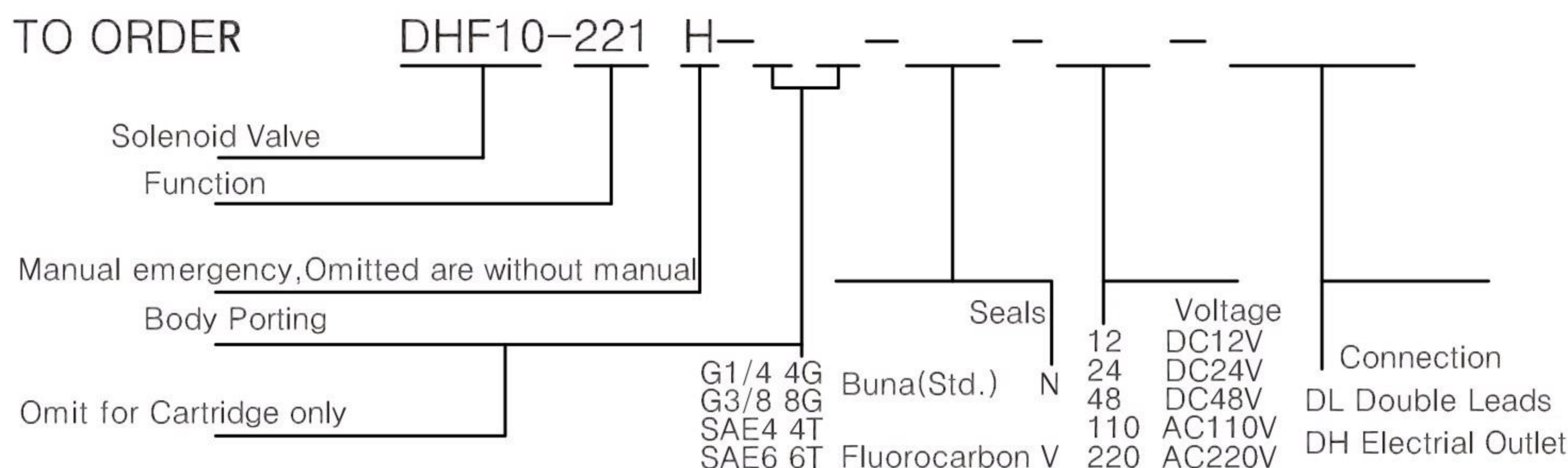
When energized, the valve acts as a check valve, allowing flow from ② to ①, while blocking flow from ① to ②; When de-energized, allowing flow from ② to ①, while ① to ② is severely restricted. To override, push button and remain, the valve blocking from ② to ①; Release the button, then the valve allowing flow from ② to ①.



● Specifications

Max. Working Pressure	250bar
Flow Max.	See Performance
Internal Leakage	0.3ml/min at 210bar 5drops/min
Operating Volt	12VDC、24VDC、 110VAC、220VAC
Min Voltage Requires	85% of normal voltage
Filtration Of Oil	20 μm or better
Type of Standard Cavity	T5-1/102
Temperature	~30~+100°C Standard Buna Seals
Standard Block Model	T5-11*/13*/14*/16*

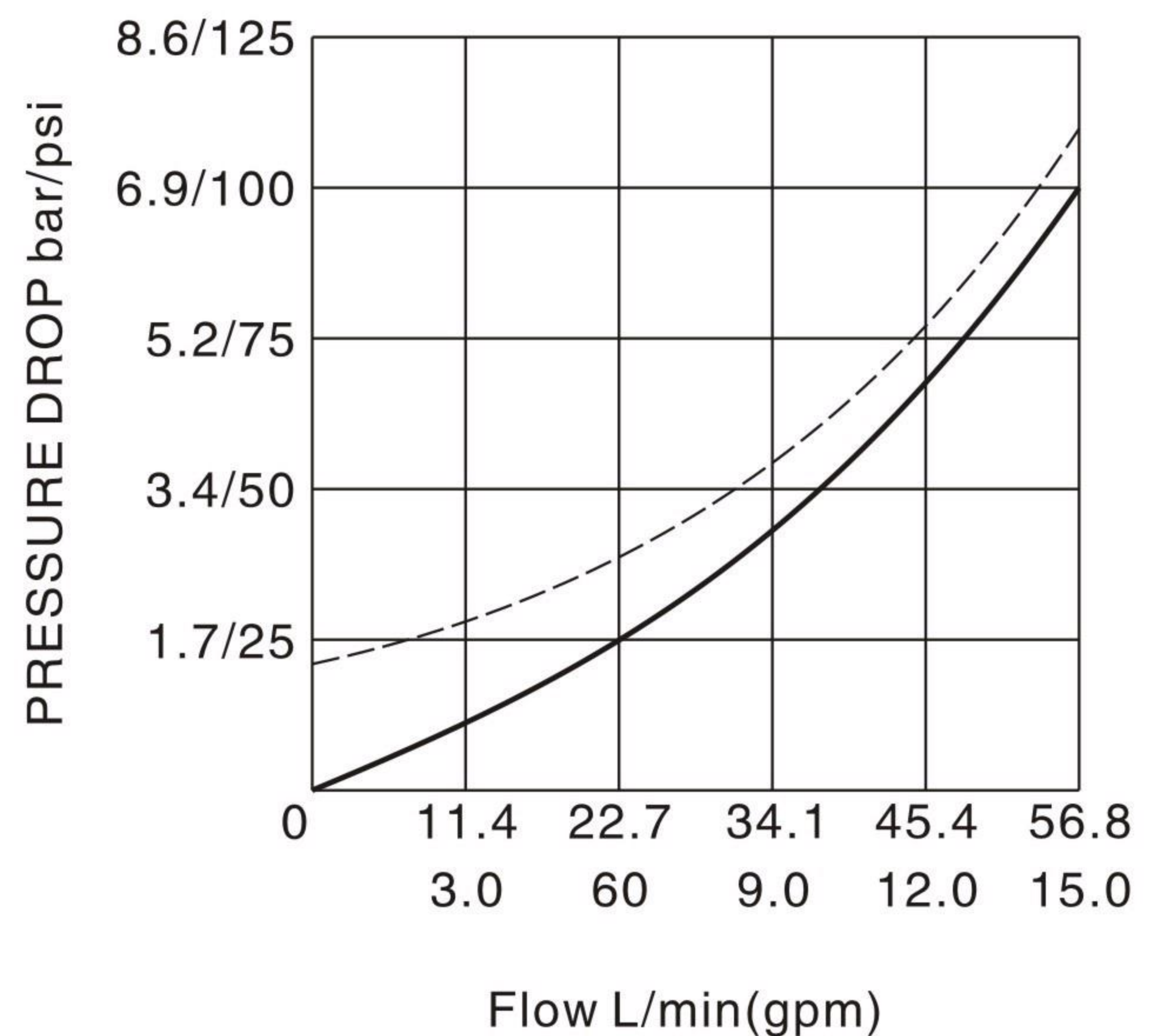
TO ORDER



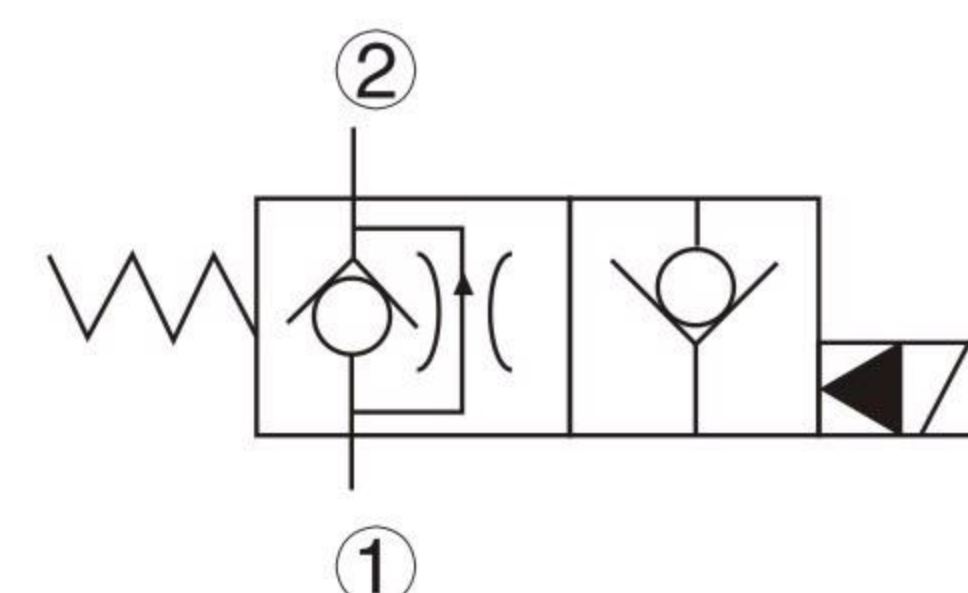
● Performance

32 cST Oil/40°C

② — ① — (d)
① — ② - - - (e)



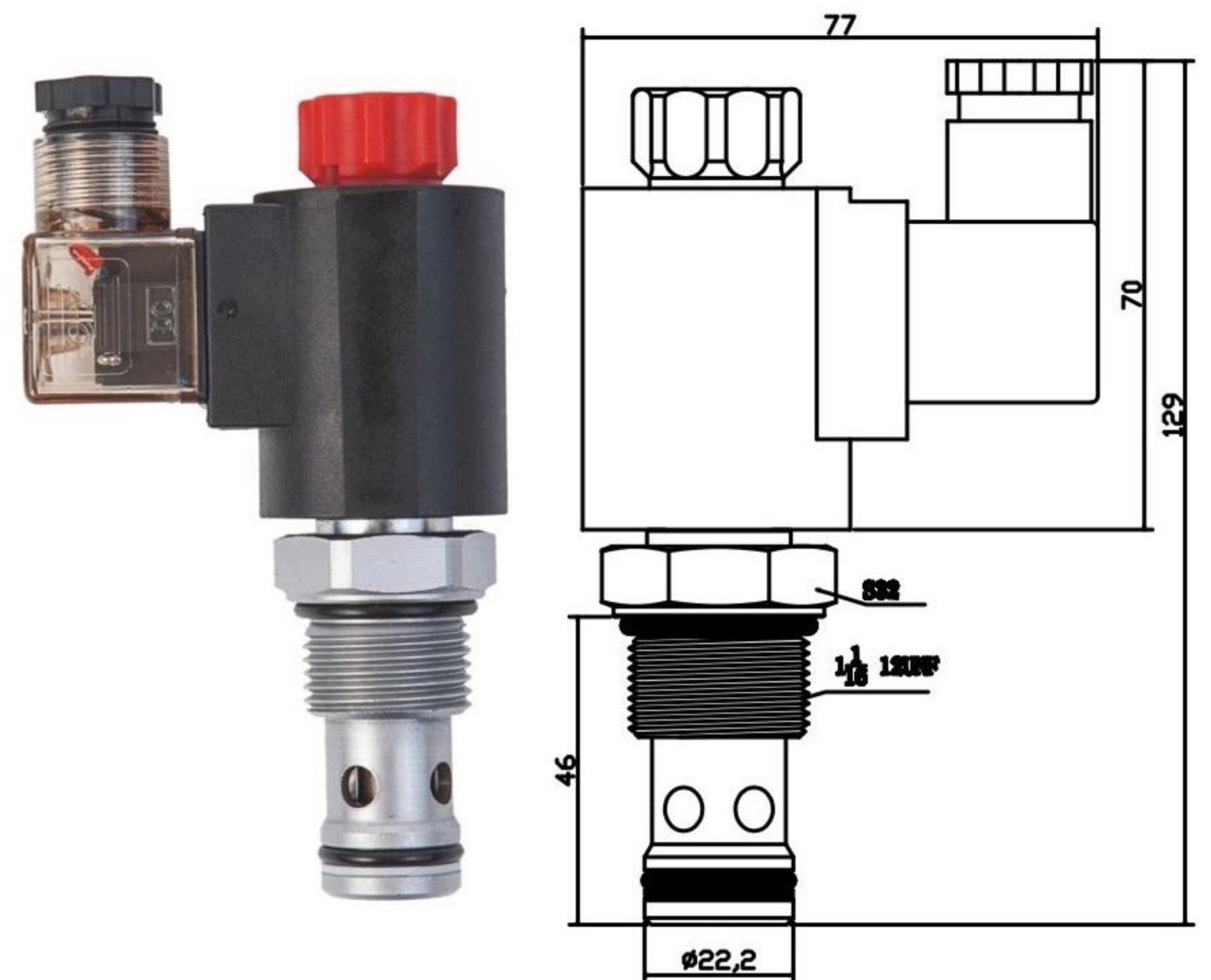
● Symbol



DHF12-220-00 Normally Closed

Description of the process

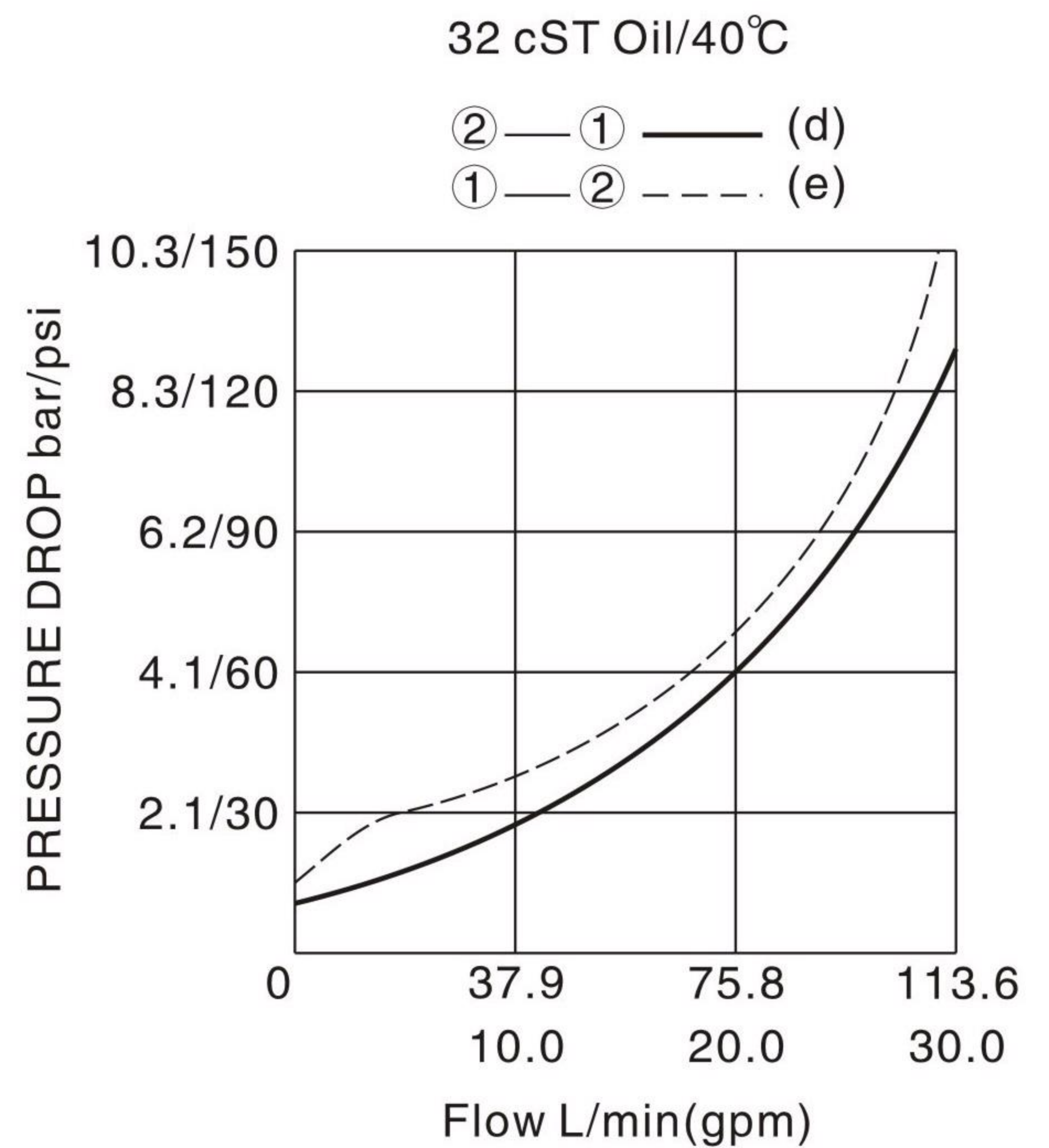
When de-energized, the valve acts as a check valve, allowing flow from ① to ②, while blocking flow from ② to ①; When energized, allowing flow from ② to ①, while ① to ② is severely restricted.



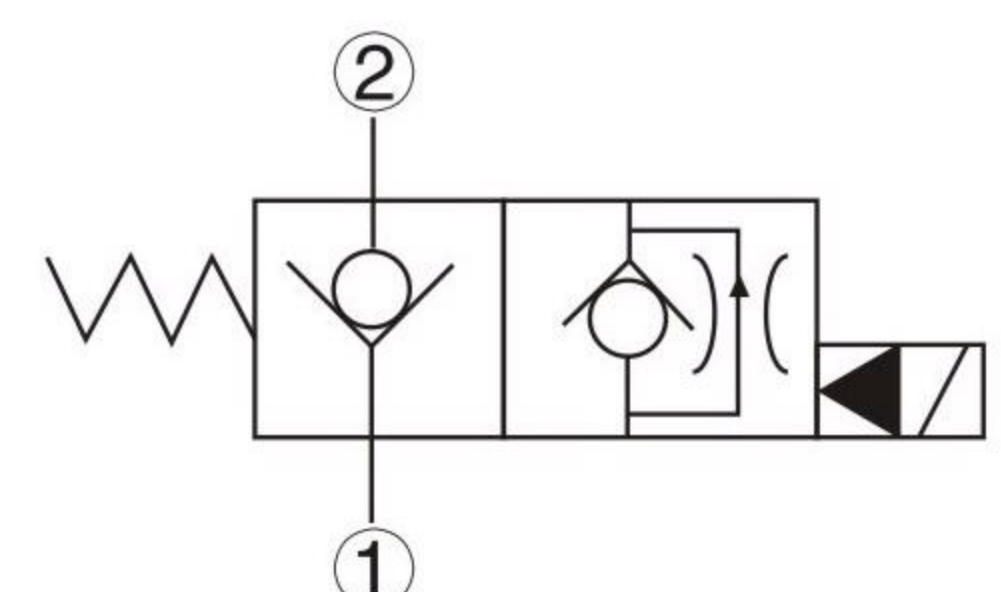
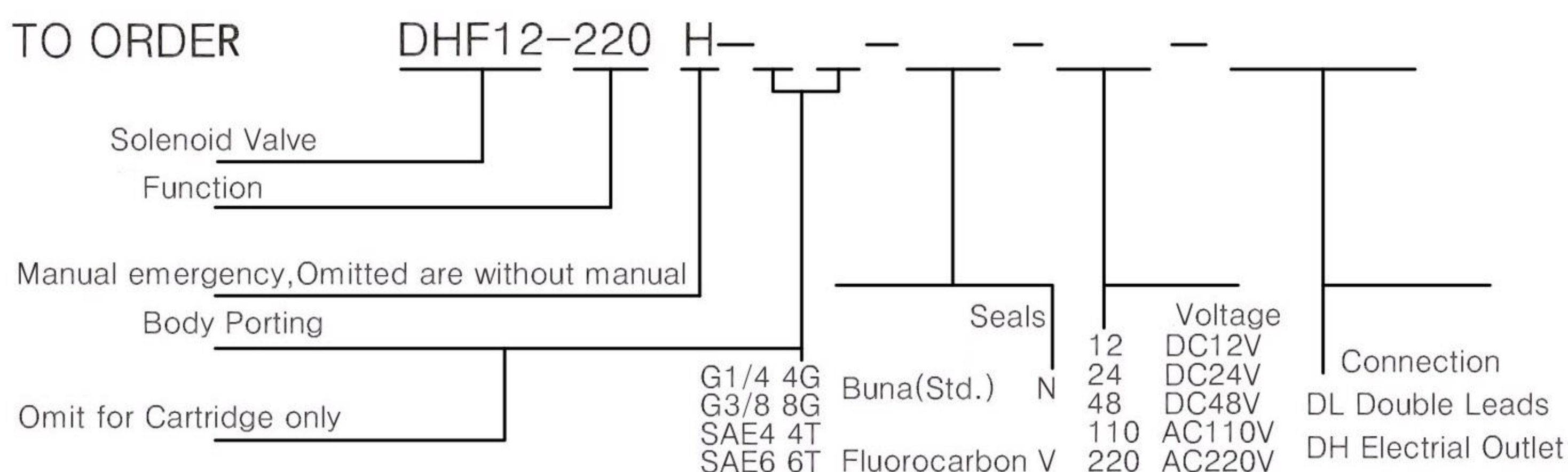
Specifications

Max. Working Pressure	250bar
Flow Max.	See Performance
Internal Leakage	0.3ml/min at 210bar 5drops/min
Operating Volt	12VDC、24VDC、 110VAC、220VAC
Min Voltage Requires	85% of normal voltage
Filtration Of Oil	20 μ m or better
Type of Standard Cavity	T6-1
Temperature	~30~+100°C Standard Buna Seals
Standard Block Model	T6-11*/13*/14*/16*

Performance



Symbol

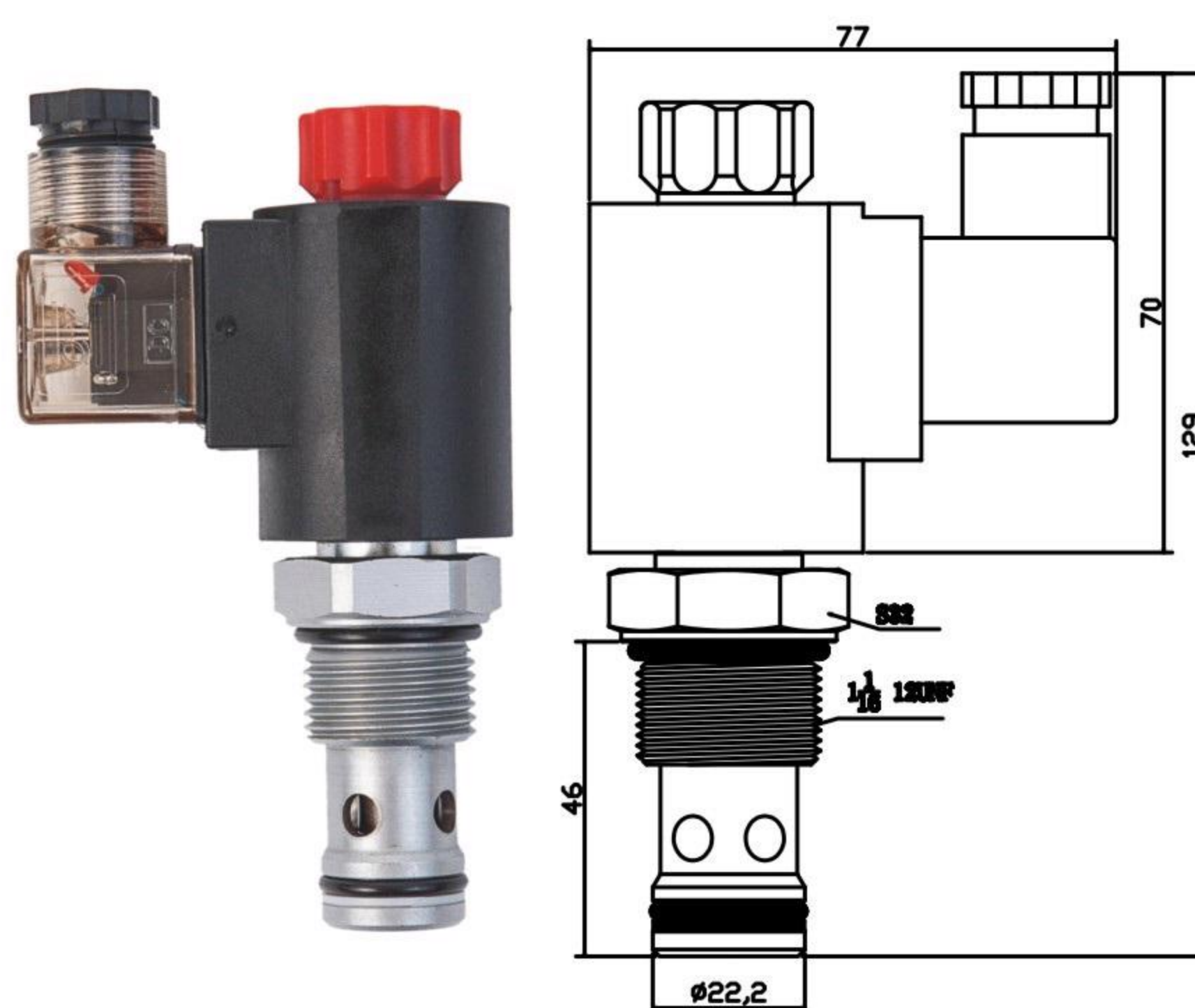


Two Way Two Position(Poppet-type)

DHF12-220-00 **Normally Closed**

● Description of the process

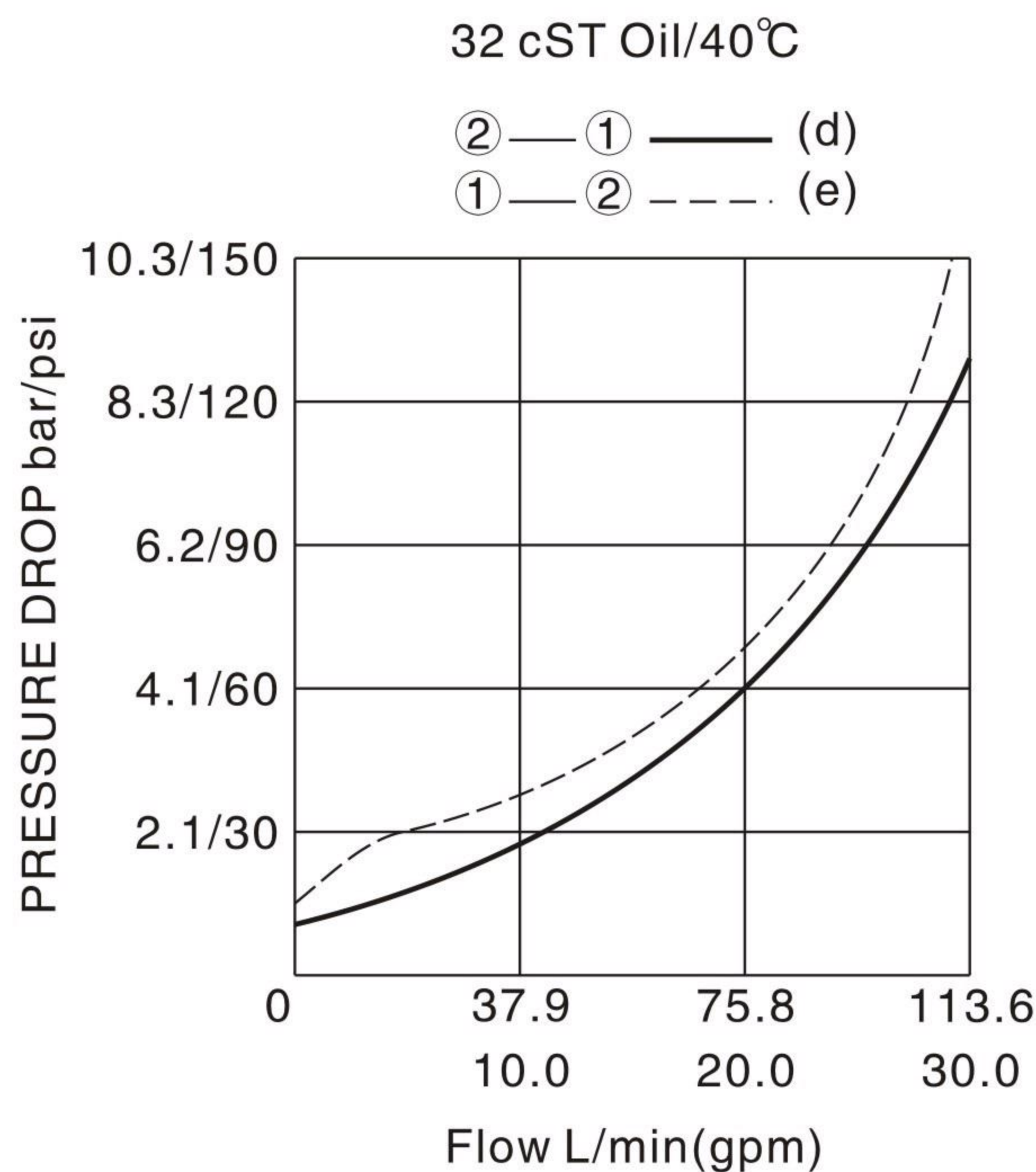
When de-energized, the valve acts as a check valve, allowing flow from ① to ②, while blocking flow from ② to ①; When energized, allowing flow from ② to ①, while ① to ② is severely restricted.



● Specifications

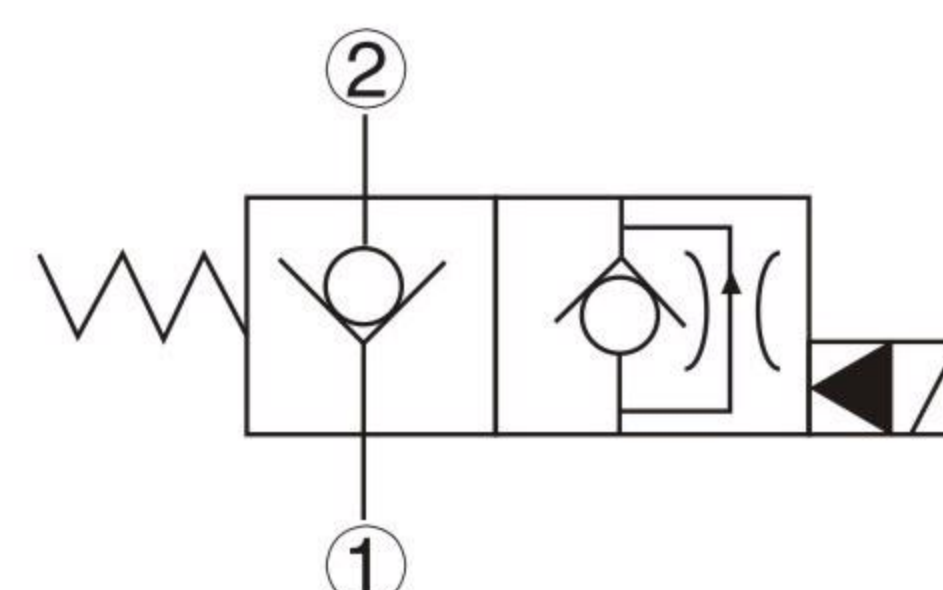
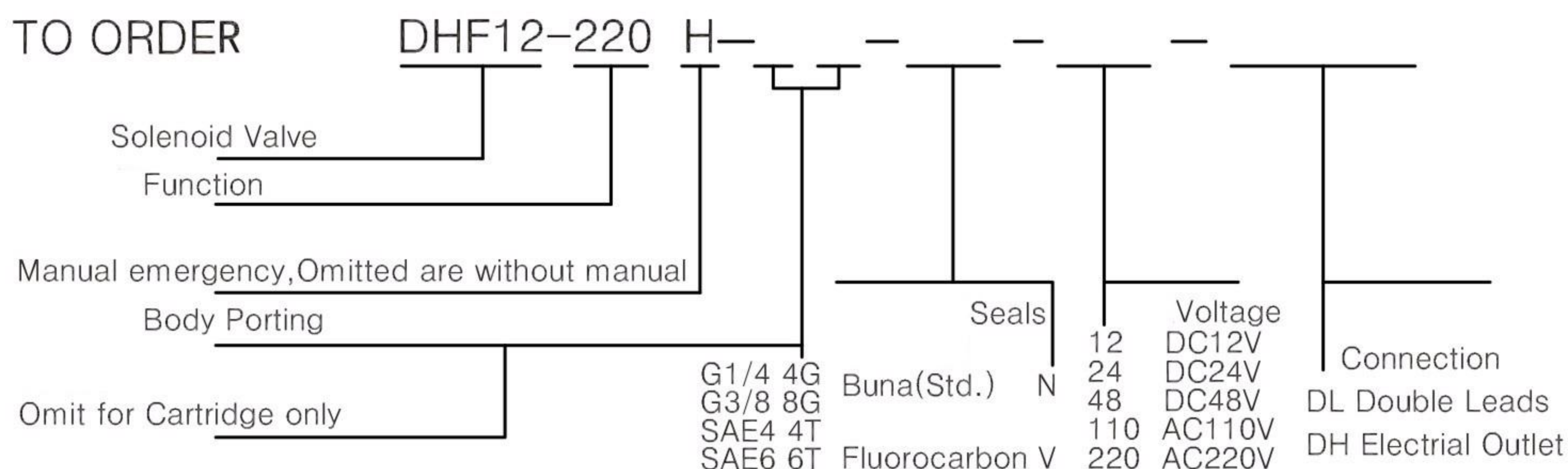
Max. Working Pressure	250bar
Flow Max.	See Performance
Internal Leakage	0.3ml/min at 210bar 5drops/min
Operating Volt	12VDC、24VDC、 110VAC、220VAC
Min Voltage Requires	85% of normal voltage
Filtration Of Oil	20 μ m or better
Type of Standard Cavity	T6-1
Temperature	~30~+100°C Standard Buna Seals
Standard Block Model	T6-11*/13*/14*/16*

● Performance



● Symbol

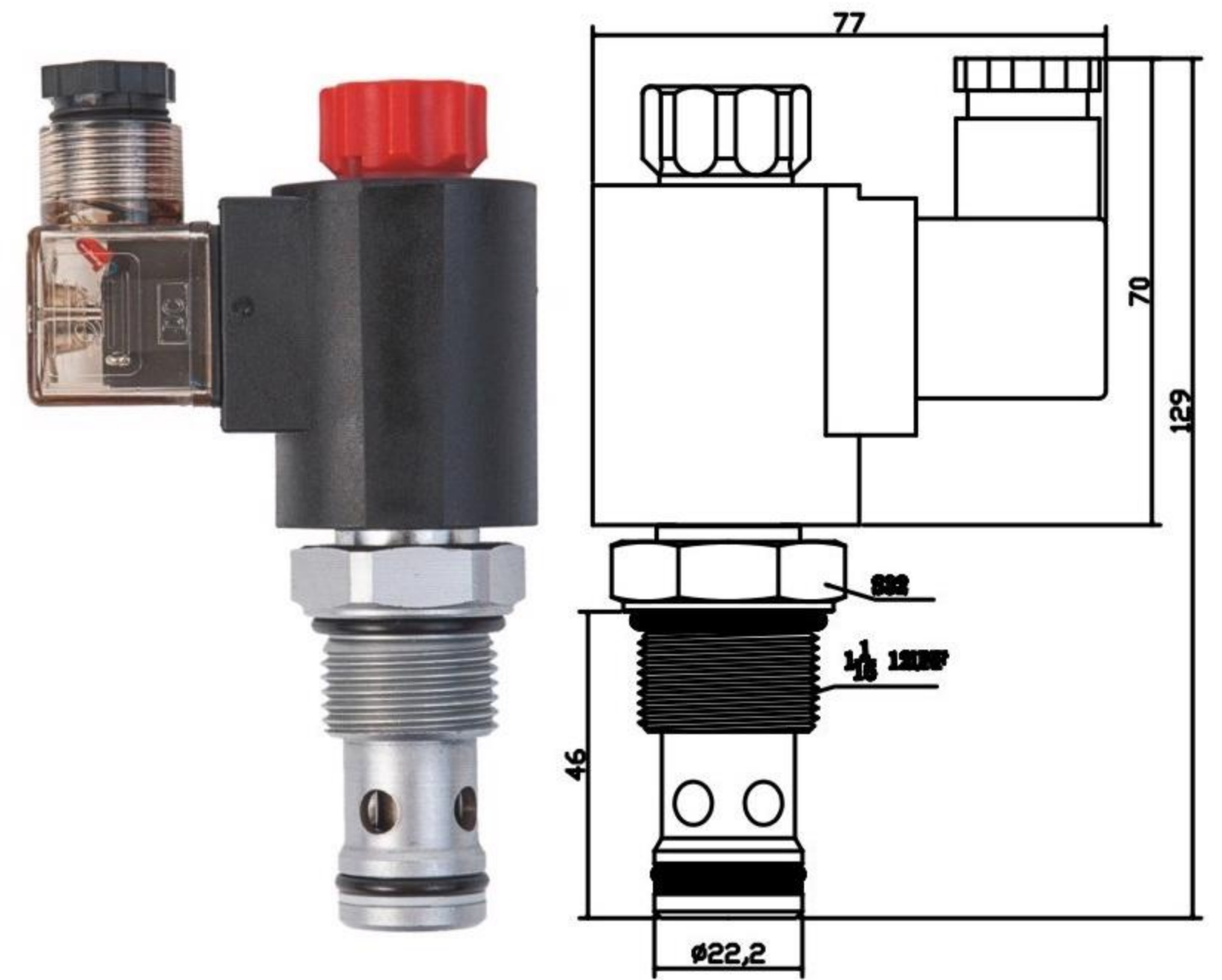
TO ORDER



DHF12-221-00 Normally Open

Description of the process

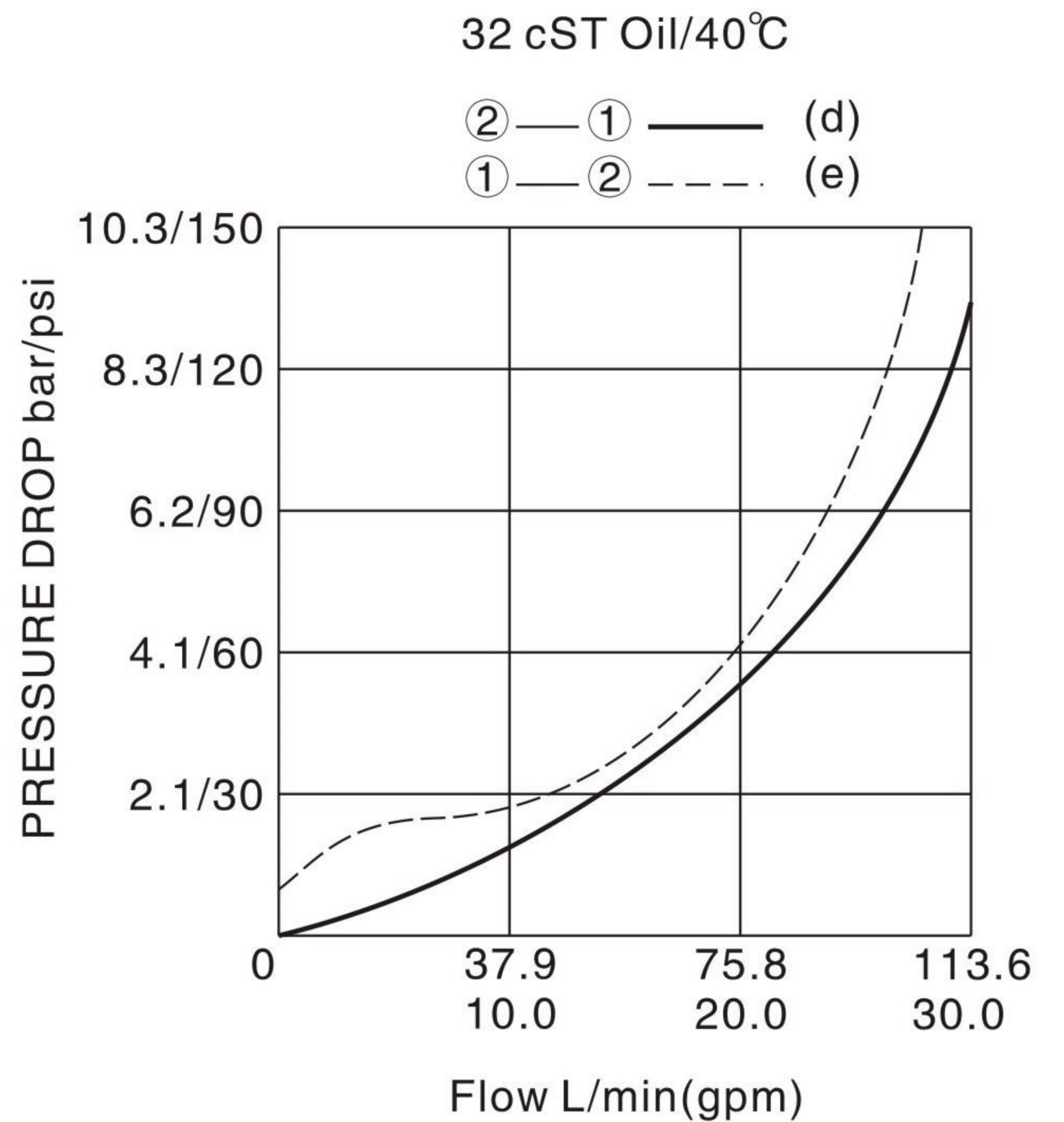
When the electromagnetic iron power, ② to ① off, ① to ② as a one-way valve open; when the electromagnet is not electricity, ② to ① open, ① to ② have a serious throttle. Manual operation to push the push rod and hold, ② to ① off, release push rod, ② to ① open.



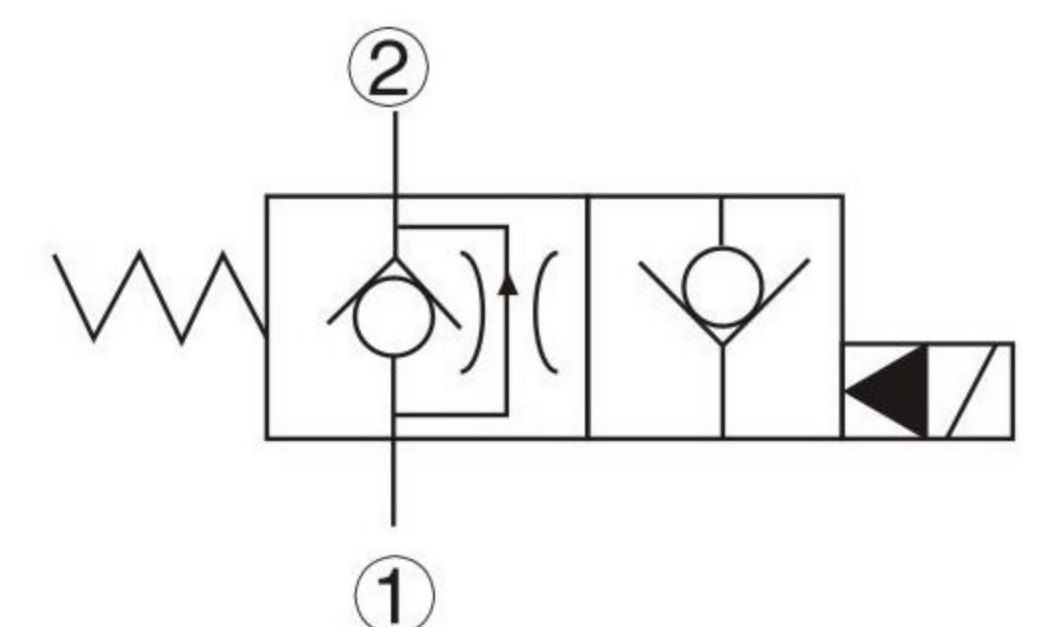
Specifications

Max. Working Pressure	250bar
Internal Lerkage	0.3ml/min at 210bar 5drops/min
Operating Volt	12VDC、24VDC、 110VAC、220VAC
Min Voltage Requires	85% of normal voltage
Filtration Of Oil	20 μ m or better
Type of Standard Cavity	T6-1
Temperature	~30~+100°C Standard Buna Seals
Standard Block Model	T6-11*/14*/16*

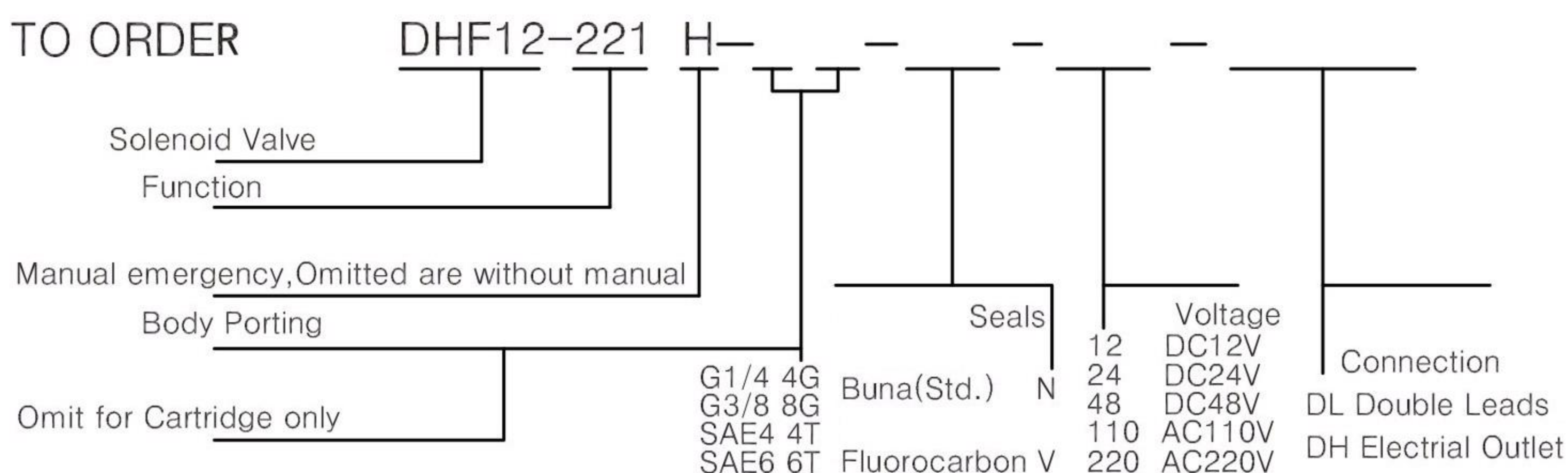
Performance



Symbol



TO ORDER



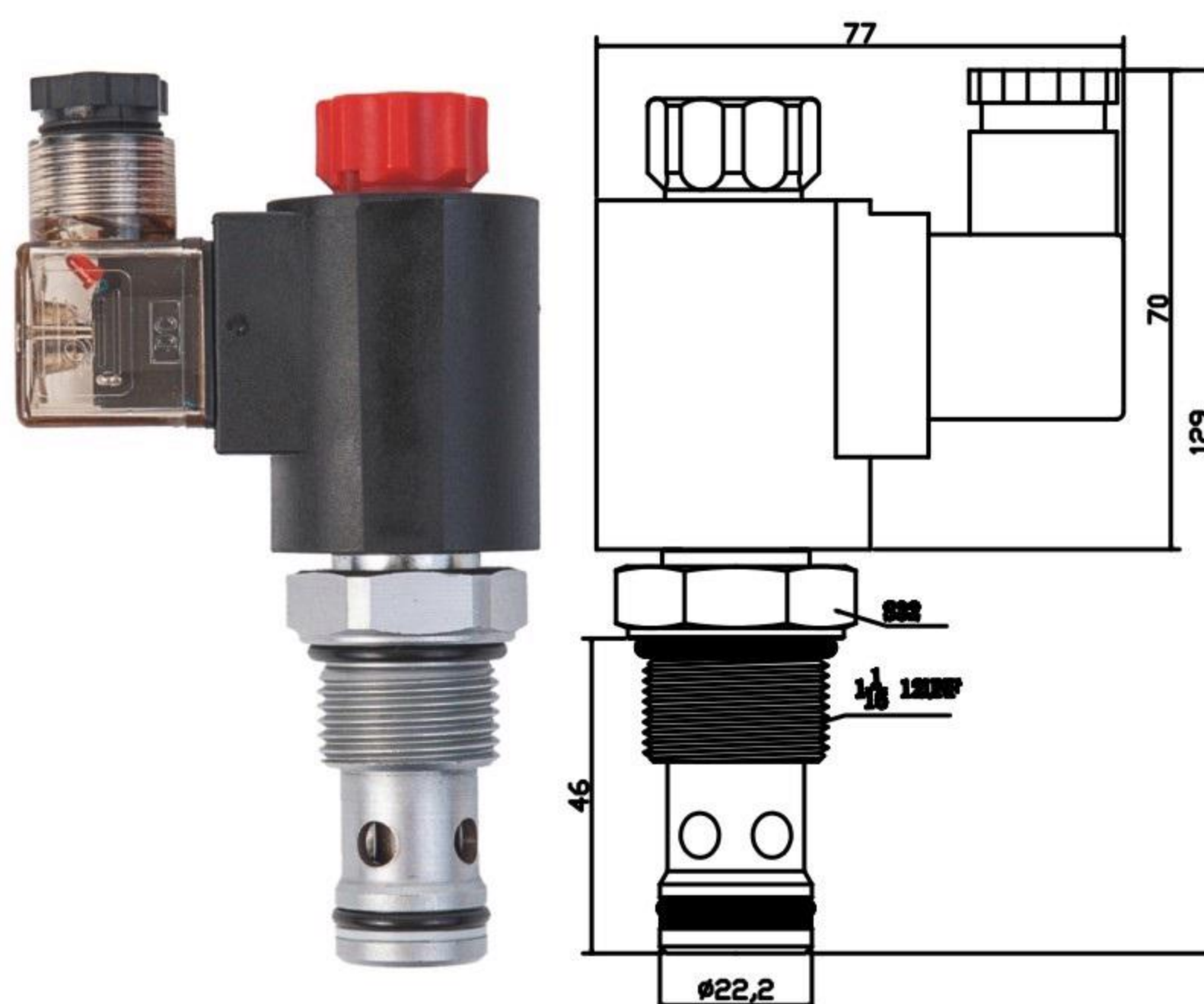
DHF12-221-00 Normally Open

● Description of the process

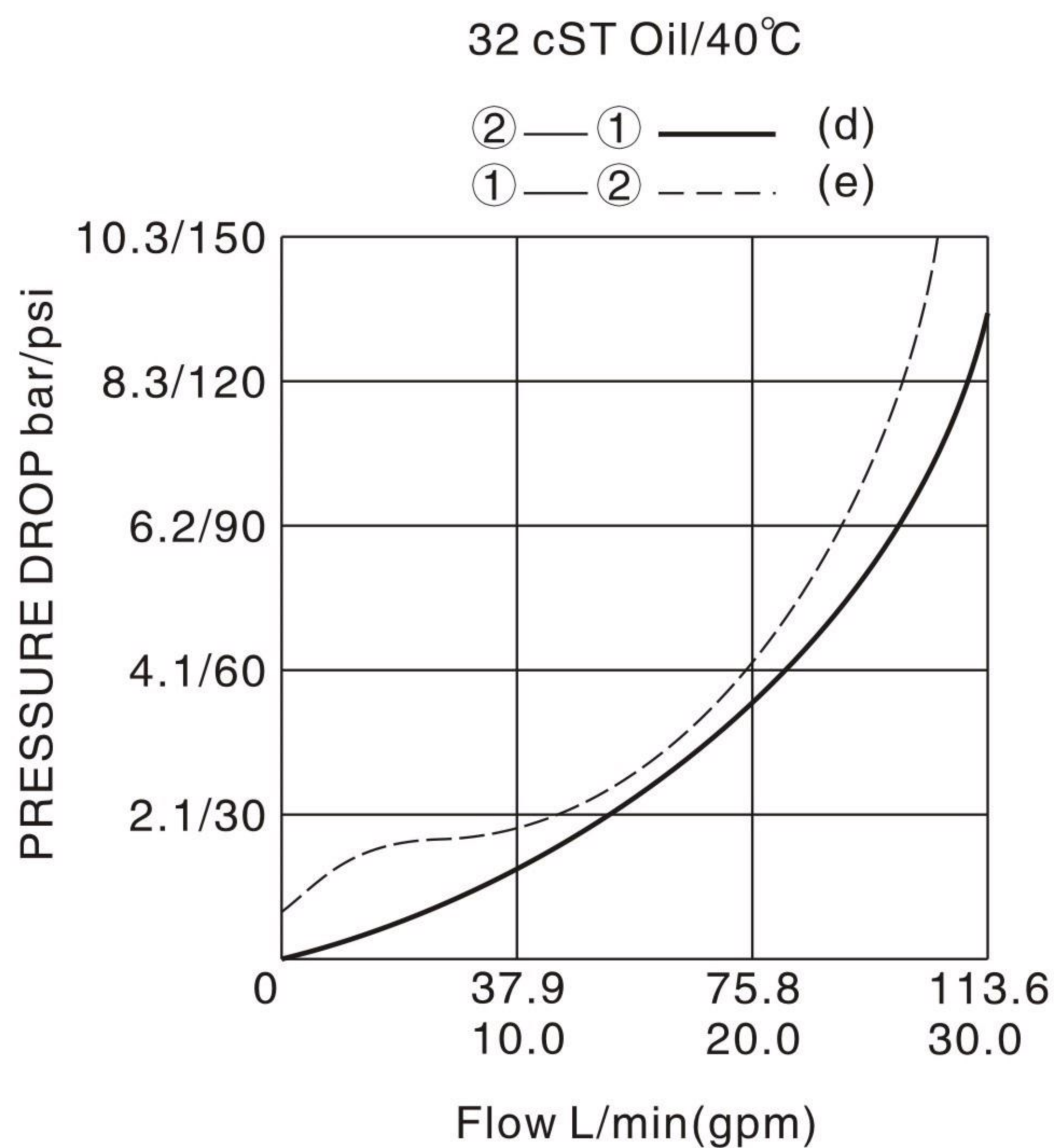
When the electromagnetic iron power, ② to ① off, ① to ② as a one-way valve open; when the electromagnet is not electricity, ② to ① open, ① to ② have a serious throttle. Manual operation to push the push rod and hold, ② to ① off, release push rod, ② to ① open.

● Specifications

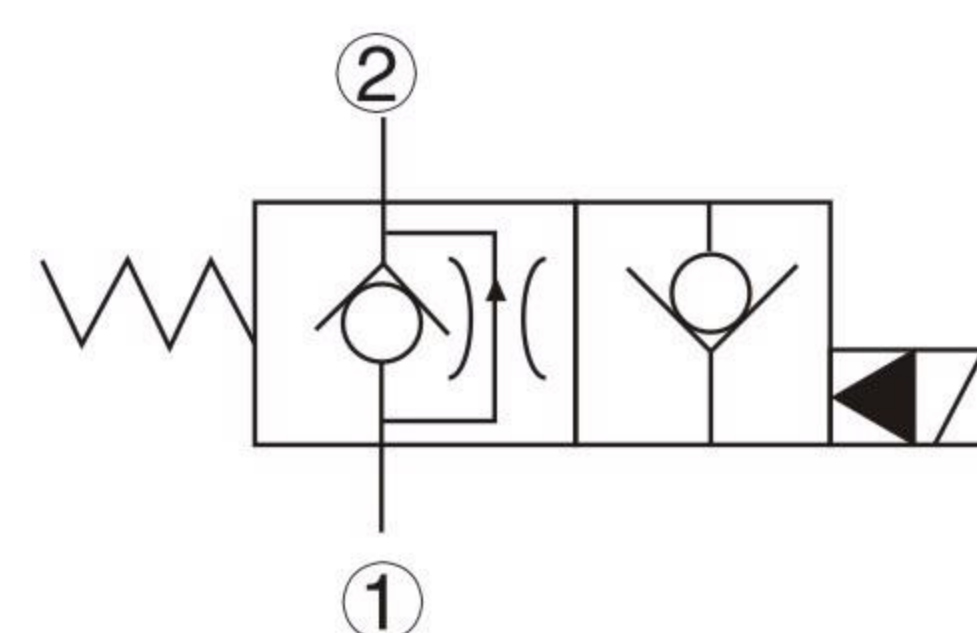
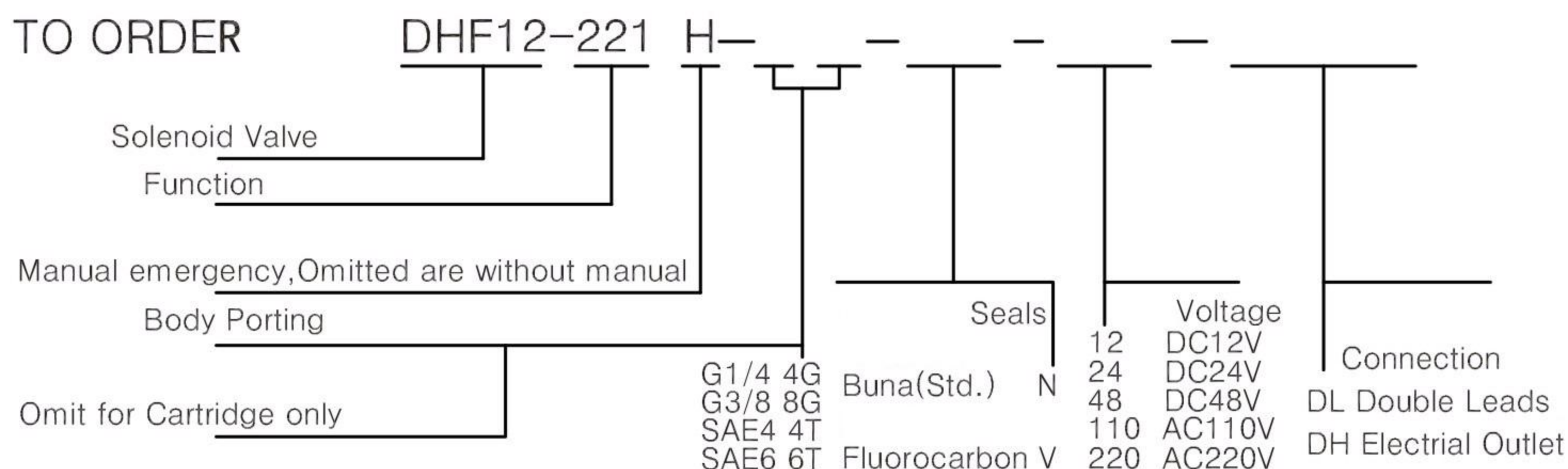
Max.Working Pressure	250bar
Internal Lerkage	0.3ml/min at 210bar 5drops/min
Operating Volt	12VDC、24VDC、 110VAC、220VAC
Min Voltage Requires	85% of normal voltage
Filtration Of Oil	20 μ m or better
Type of Standard Cavity	T6-1
Temperature	~30~+100°C Standard Buna Seals
Standard Block Model	T6-11*/14*/16*



● Performance



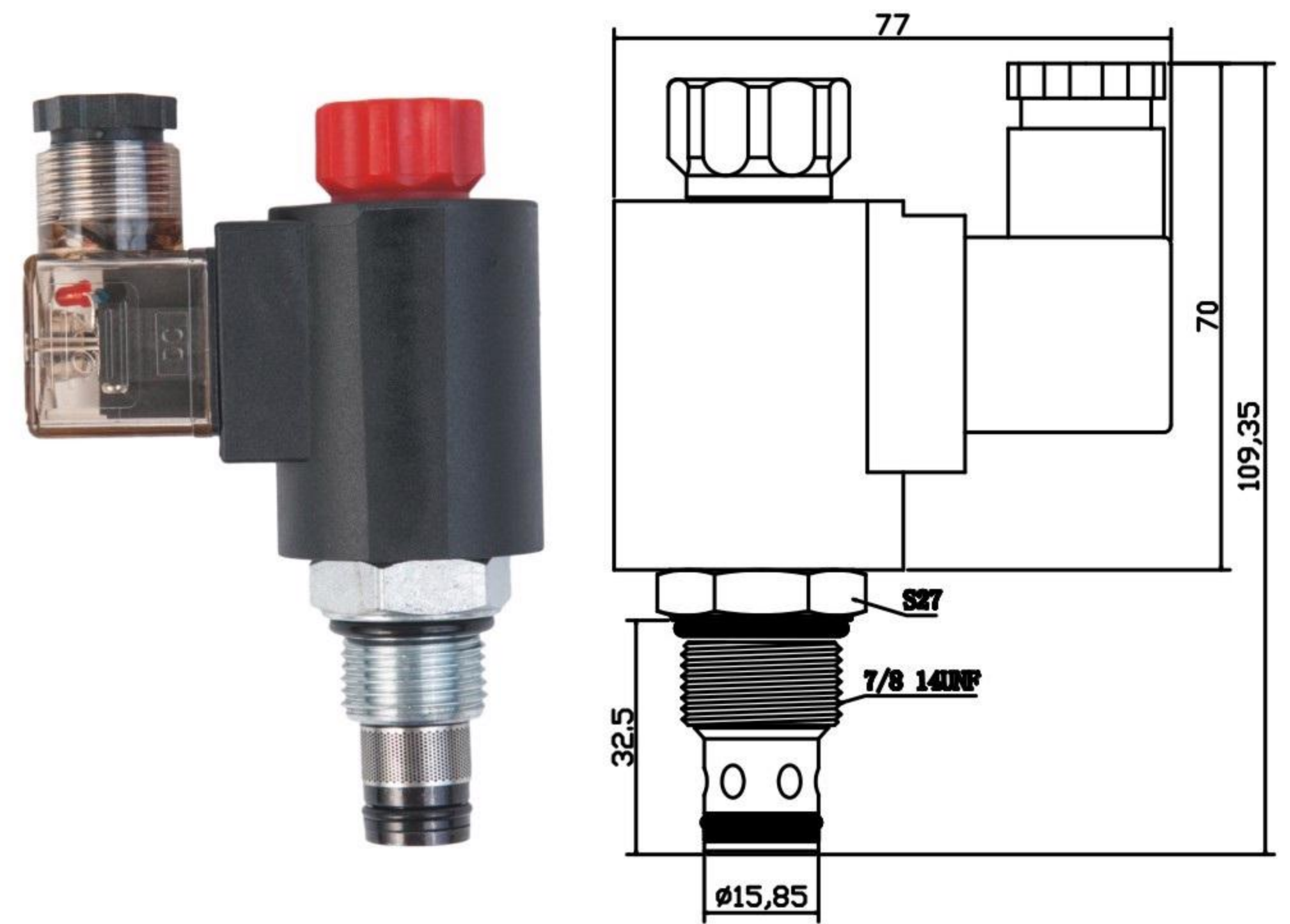
● Symbol



DHF10-220-00 Normally Closed

● Description of the process

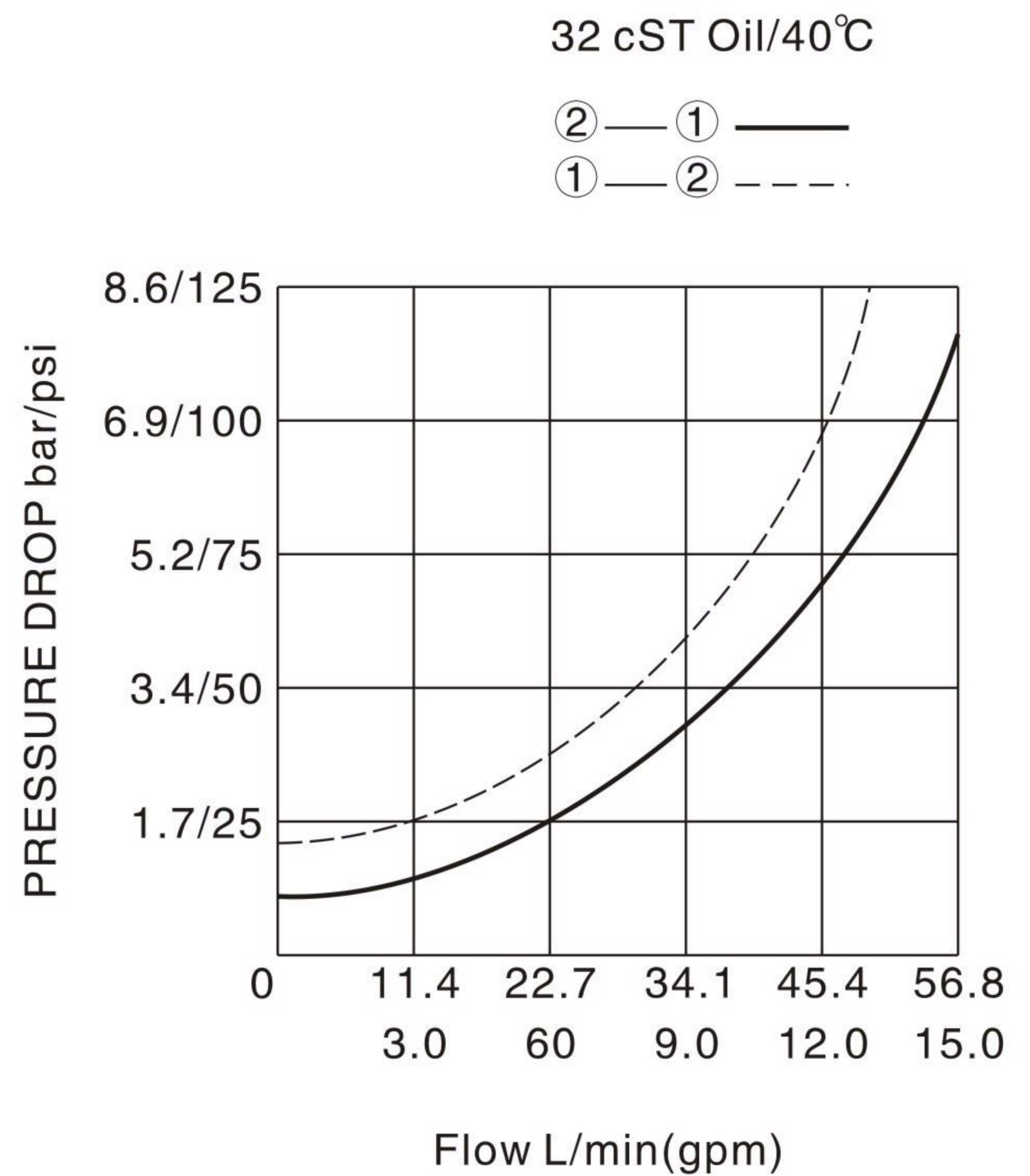
When the solenoid is not energized, ② to ① closed, ① to ② as a one-way valve is open; When the solenoid is energized, ② to ① open, ① to ② have serious throttle. In manual operation, the advance button is rotated counterclockwise by 90 degrees, and the release valve is opened and held; advance button release 90 degrees clockwise, the valve is closed and maintained.



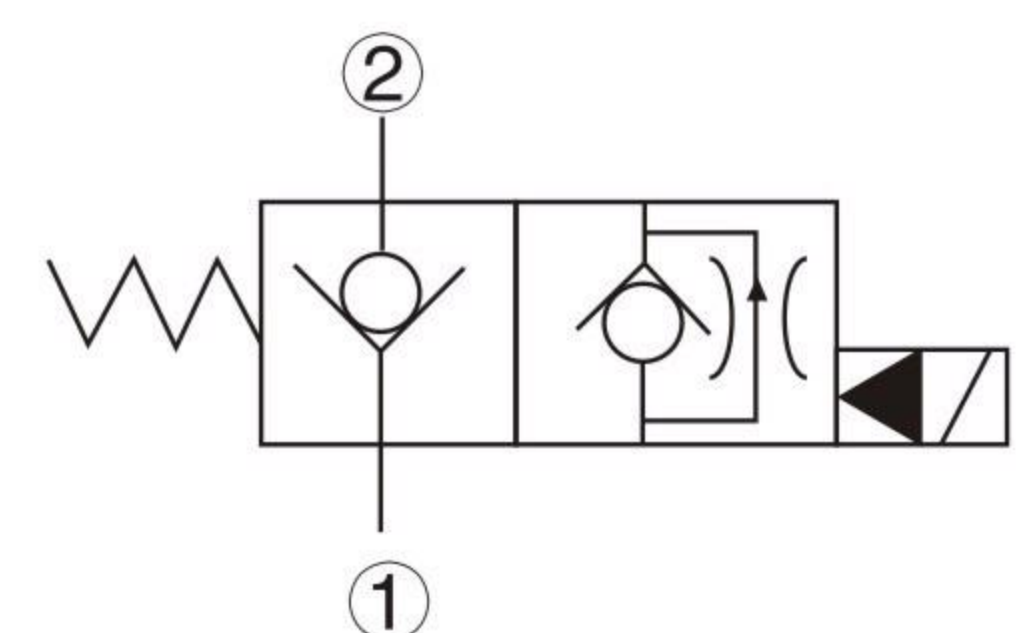
● Specifications

Max. Working Pressure	250bar
Internal Leakage	0.3ml/min at 210bar 5drops/min
Operating Volt	12VDC、24VDC、 110VAC、220VAC
Min Voltage Requires	85% of normal voltage
Filtration Of Oil	20 μm or better
Type of Standard Cavity	T5-1/102
Temperature	~30~+100°C Standard Buna Seals
Standard Block Model	T5-11*/13*/14*/16*

● Performance



● Symbol



TO ORDER DHF10-220 H- - - - -

Solenoid Valve	DHF10-220	H-	-	-	-	-	-
Function							
Manual emergency, Omitted are without manual							
Body Porting							
Omit for Cartridge only							
	G1/4 4G	Buna(Std.)	N	12	DC12V		
	G3/8 8G			24	DC24V		
	SAE4 4T			48	DC48V		
	SAE6 6T	Fluorocarbon V		110	AC110V		
				220	AC220V		
							DL Double Leads
							DH Electrical Outlet