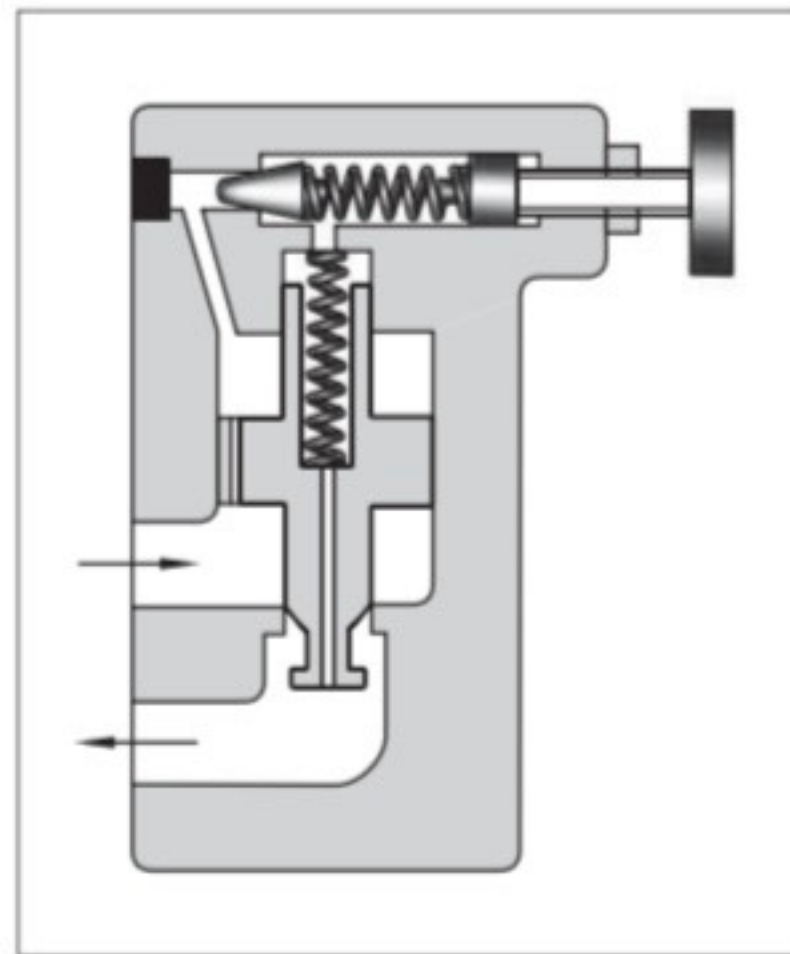
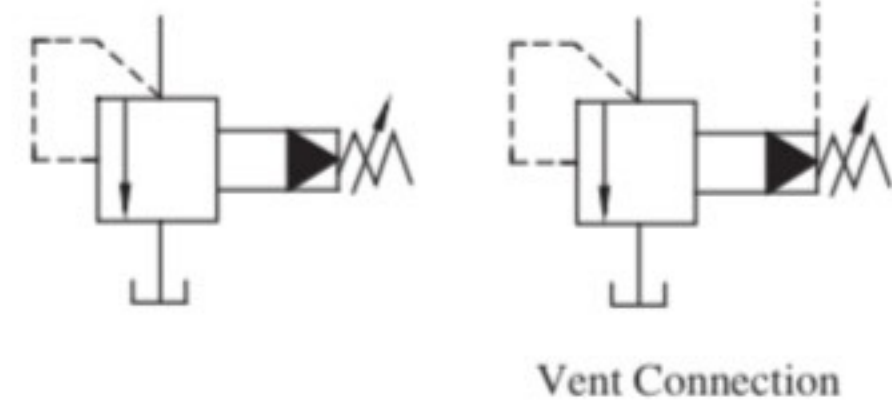


Pilot Operated Relief Valves

These valves protect the hydraulic system from excessive pressure, and can be used to maintain constant pressure in a hydraulic system. Remote control and unloading are permitted by using vent circuits.



Graphic Symbols



Specifications

| Model Numbers | | Max. Operating Pressure MPa (PSI) | Pres. Adj. Range MPa (PSI) | Max. Flow L/min (U.S.GPM) | Approx. Mass kg (lbs.) | |
|---------------------|--------------------|--------------------------------------|-------------------------------|---------------------------------|---------------------------|---------------|
| Threaded Connection | Sub-plate Mounting | | | | BT type | BG type |
| BT-03-*-32* | BG-03-*-32* | 25 (3630) | Note) ★-25 (★-3630) | 100 (26.4) | 5.0 (11.0) | 4.7 (10.4) |
| BT-06-*-32* | BG-06-*-32* | | | 200 (52.8) | 5.0 (11.0) | 5.6 (12.3) |
| BT-10-*-32* | BG-10-*-32* | | | 400 (106) | 8.5 (18.7) | 8.7 (19.2) |

Note: Refer to the Minimum adjustment Pressure characteristics on page 214.

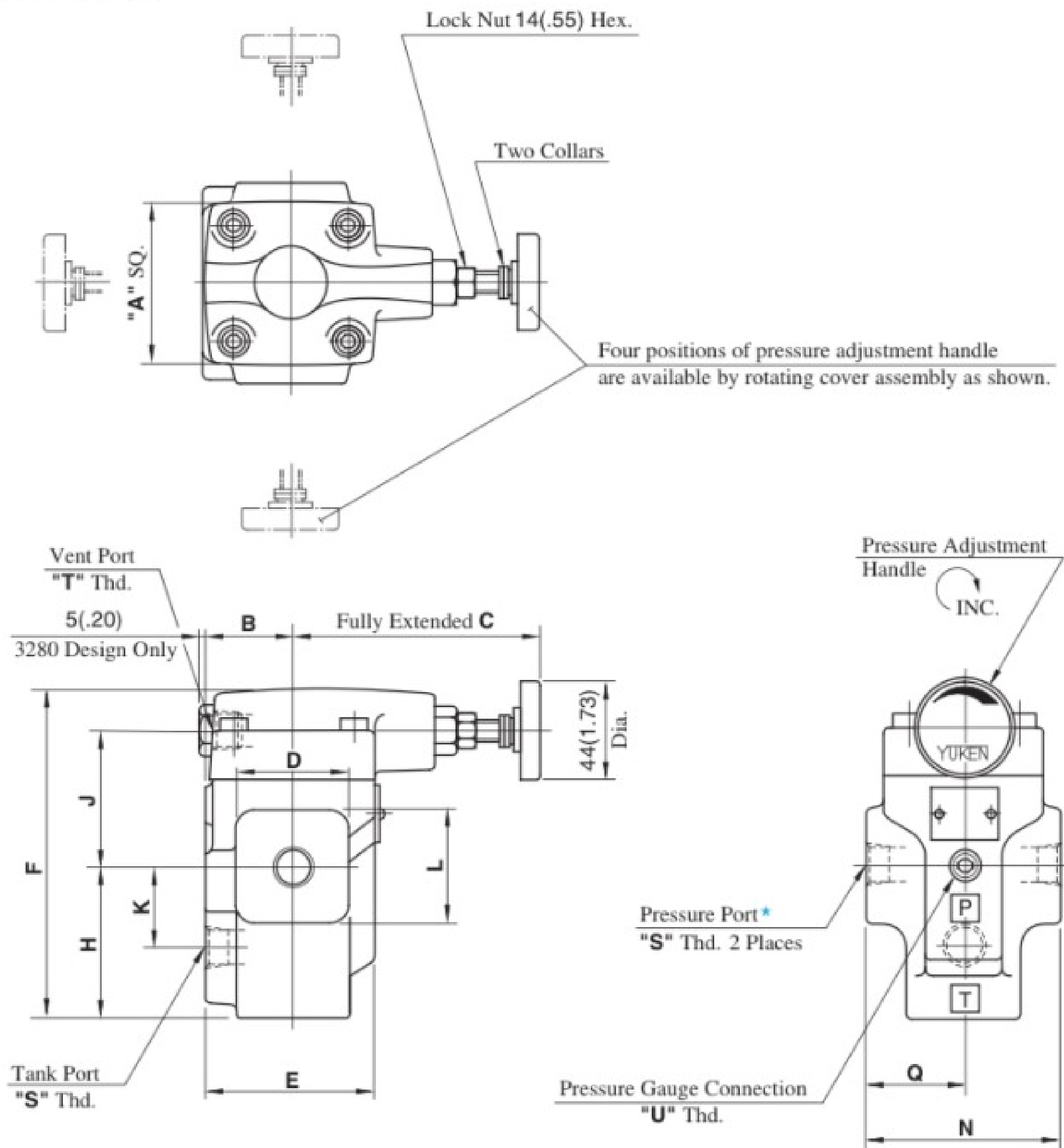
Model Number Designation

| F- | B | T | -03 | -V | -32 | * |
|-----------------------------------------------------------------------------------|-------------------------------------------|-------------------------------|------------|-----------------------------------------------------------------------|---------------|-----------------------------------------------------------------------------------------------------------|
| Special Seals | Series Number | Type of Mounting | Valve Size | High Venting* Pres. Feature | Design Number | Design Standards |
| F: Special Seals for Phosphate Ester Type Fluids (Omit if not required) | B: Pilot Operated Relief Valves | T: Threaded Connection | 03 | V: For High Venting Pressure Feature (Omit if not required) | 32 | None: Japanese Std. "JIS" 80: European Design Std. 90: N. American Design Std. |
| | | | 06 | | 32 | |
| | | | 10 | | 32 | |
| | | G: Sub-plate Mounting | 03 | | 32 | None: Japanese Std. "JIS" and European Design Std. 90: N. American Design Std. |
| | | | 06 | | 32 | |
| | | | 10 | | 32 | |

★ Use high venting pressure type to reduce the response time from unload to onload.

BT-03-*-32/3280/3290
 BT-06-*-32/3280/3290
 BT-10-*-32/3280/3290

**DIMENSIONS IN
MILLIMETRES (INCHES)**



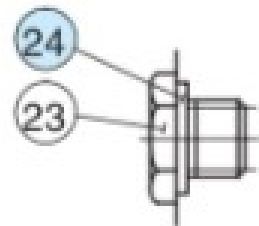
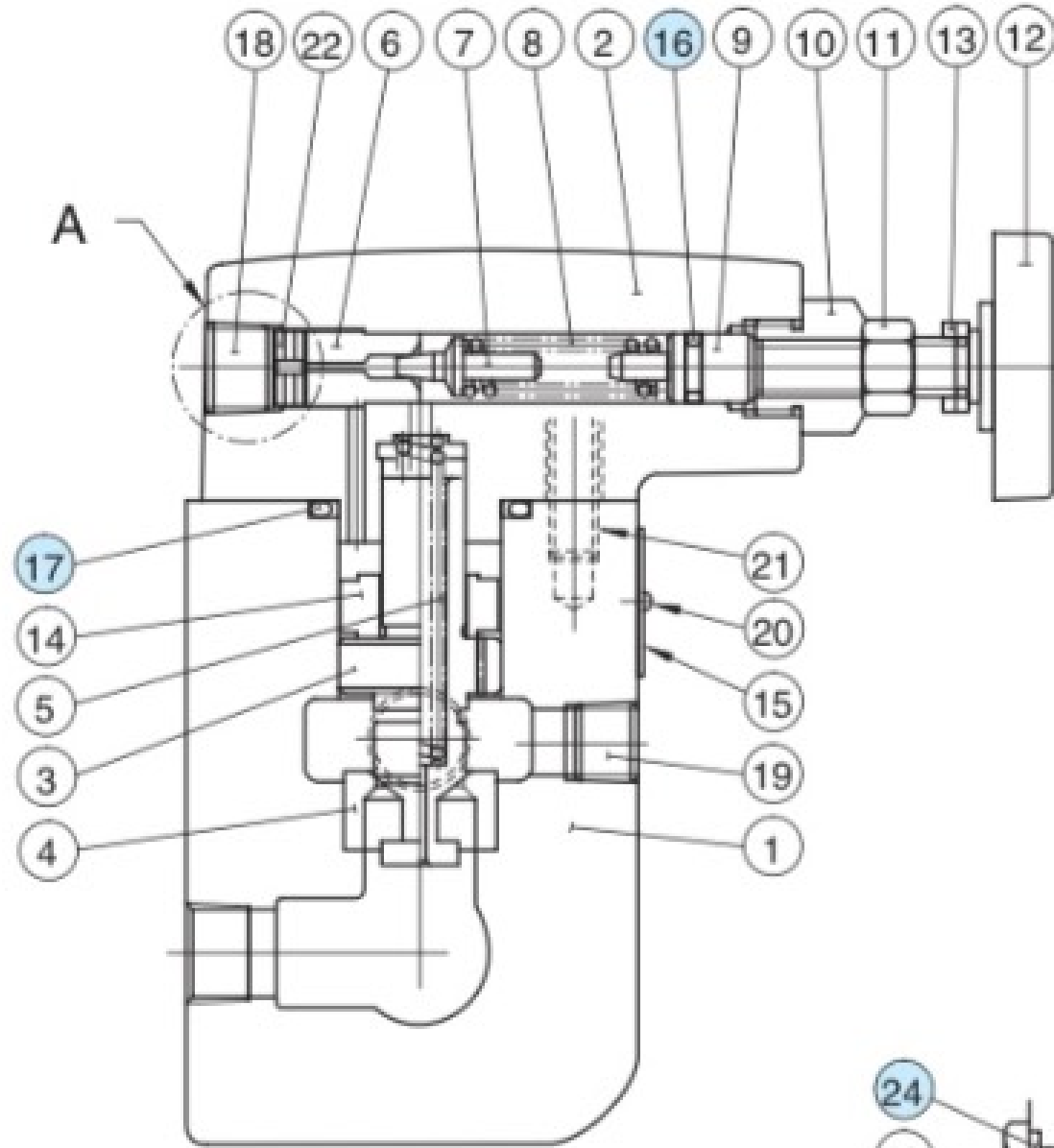
★ There are two threaded connection pressure ports. They can be connected each other in-line; one as inlet and the other as an outlet or the valve can be used by plugging one of the pressure ports.

| Model Numbers | Dimensions mm (Inches) | | | | | | | | | | | |
|----------------------|------------------------|--------------|---------------|--------------|--------------|-----------------|----------------|--------------|--------------|--------------|---------------|--------------|
| | A | B | C | D | E | F | H | J | K | L | N | Q |
| BT-03-*-32/3280/3290 | 75 (2.95) | 40 (1.57) | 105 (4.13) | 52 (2.05) | 78 (3.07) | 150.5 (5.93) | 68.5 (2.70) | 62 (2.44) | 36 (1.42) | 52 (2.05) | 90 (3.54) | 45 (1.77) |
| BT-06-*-32/3280/3290 | | | | | | | | | | | | |
| BT-10-*-32/3280/3290 | 85 (3.35) | 50 (1.97) | 101 (3.98) | 80 (3.15) | 96 (3.78) | 183 (7.20) | 89 (3.50) | 74 (2.91) | 49 (1.93) | 80 (3.15) | 120 (4.72) | 60 (2.36) |

| Model Numbers | Thread Size | | |
|---------------|-------------|-----------|------------|
| | "S" Thd. | "T" Thd. | "U" Thd. |
| BT-03-*-32 | Rc 3/8 | Rc 3/8 | Rc 1/4 |
| BT-03-*-3280 | 3/8 BSP.F | 3/8 BSP.F | 1/4 BSP.Tr |
| BT-03-*-3290 | 3/8 NPT | 3/8 NPT | 1/4 NPT |
| BT-06-*-32 | Rc 3/4 | Rc 3/8 | Rc 1/4 |
| BT-06-*-3280 | 3/4 BSP.F | 3/8 BSP.F | 1/4 BSP.Tr |
| BT-06-*-3290 | 3/4 NPT | 3/8 NPT | 1/4 NPT |
| BT-10-*-32 | Rc 1-1/4 | Rc 3/8 | Rc 1/4 |
| BT-10-*-3280 | 1-1/4 BSP.F | 3/8 BSP.F | 1/4 BSP.Tr |
| BT-10-*-3290 | 1-1/4 NPT | 3/8 NPT | 1/4 NPT |

■ Spare Parts List

BT-03-*-32/3280/3290
 BT-06-*-32/3280/3290
 BT-10-*-32/3280/3290



Section "A"
for Design 3280

● List of Seals

| Item | Name of Parts | Part Numbers | | | Qty. |
|------|---------------|--------------|-----------|-----------|------|
| | | BT-03 | BT-06 | BT-10 | |
| 16 | O-Ring | SO-NA-P9 | SO-NA-P9 | SO-NA-P9 | 1 |
| 17 | O-Ring | SO-NB-P32 | SO-NB-P42 | SO-NB-P42 | 1 |
| 24 | Bonded Seal | SG-FB-3/8 | SG-FB-3/8 | SG-FB-3/8 | 1 |

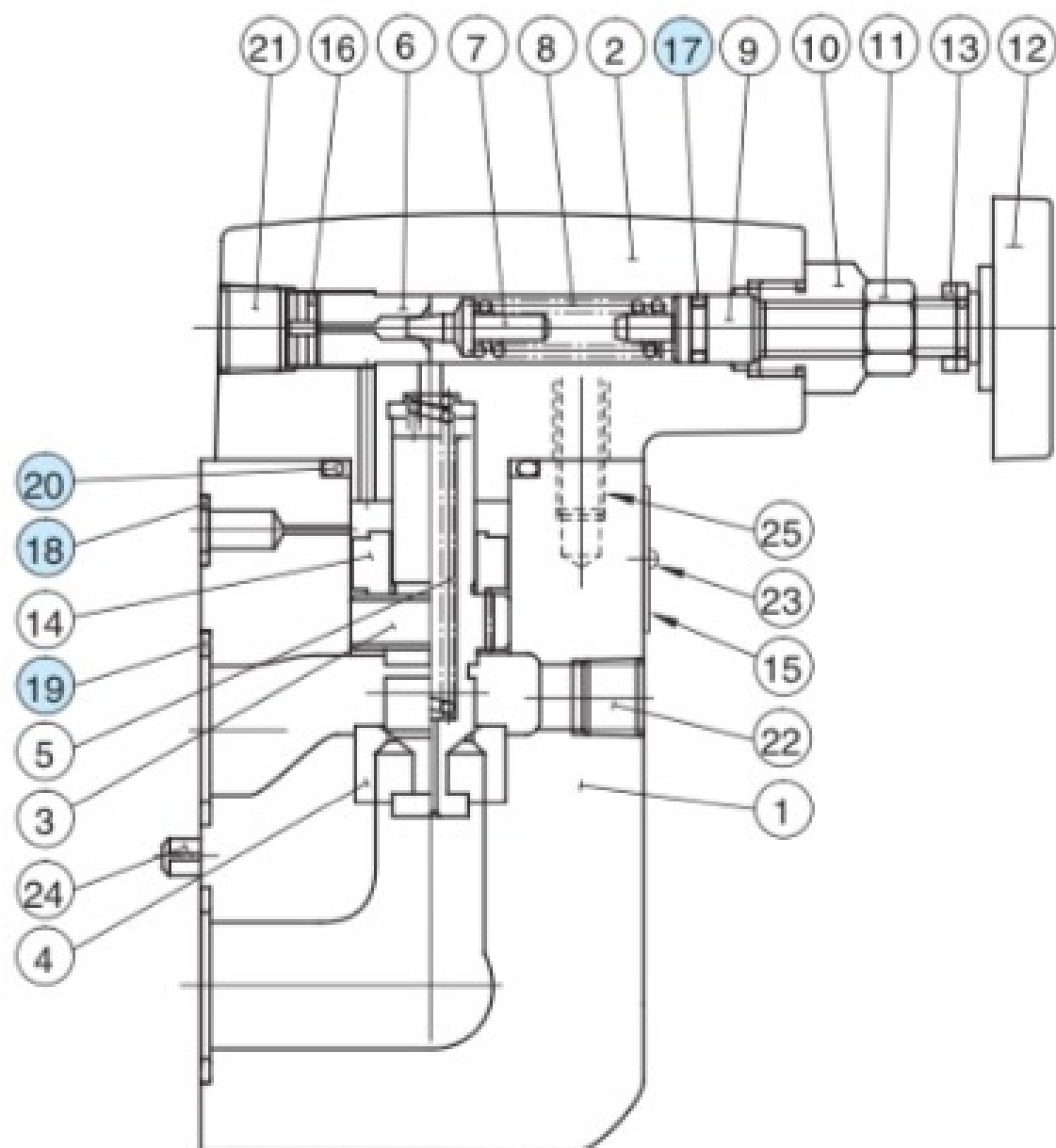
Note: When ordering the seals, please specify the seal kit number from the table below.

● List of Seal Kits

| Valve Model Numbers | Seal Kit Numbers |
|---------------------|------------------|
| BT-03 | KS-BT-03-32 |
| BT-06 | |
| BT-10 | KS-BT-10-32 |

Note: No bonded seals are included in the seal kits.

BG-03-*-32/3290
 BG-06-*-32/3290
 BG-10-*-32/3290



● List of Seals

| Item | Name of Parts | Part Numbers | | | Qty. |
|------|---------------|--------------|-----------|-----------|------|
| | | BG-03 | BG-06 | BG-10 | |
| 17 | O-Ring | SO-NA-P9 | SO-NA-P9 | SO-NA-P9 | 1 |
| 18 | O-Ring | SO-NB-P9 | SO-NB-P11 | SO-NB-P9 | 1 |
| 19 | O-Ring | SO-NB-P18 | SO-NB-P28 | SO-NB-P32 | 2 |
| 20 | O-Ring | SO-NB-P32 | SO-NB-P32 | SO-NB-P42 | 1 |

Note: When ordering the seals, please specify the seal kit number from the table below.

● List of Seal Kits

| Valve Model Numbers | Seal Kit Numbers |
|---------------------|------------------|
| BG-03 | KS-BG-03-32 |
| BG-06 | KS-BG-06-32 |
| BG-10 | KS-BG-10-32 |