

YJ4WE6 series directional control valves are solenoid operated directional spool valves with emergency handle, which can control the start, stop and direct oil flow even in the case of power failure.

Technical specification

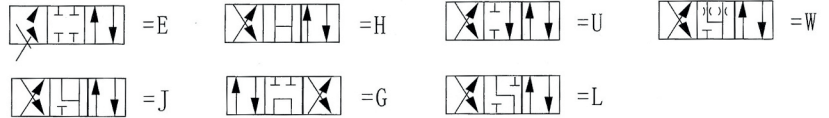
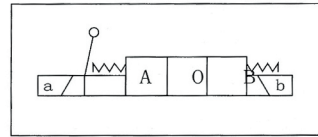


YJ4WE	6	E	G24	Z4L
Sort	Nominal size	symbols	Input voltage	Connector type
Solenoid operated directional valve with emergency handle	6:NG6 Cetop3	See symbols list	G12:DC12 G24:DC24 W220:AC220 W110:AC110 W220R:RAC220 W110R:RAC110	Z4: Standart plug-in connector Z4L: Plug-in connector with light

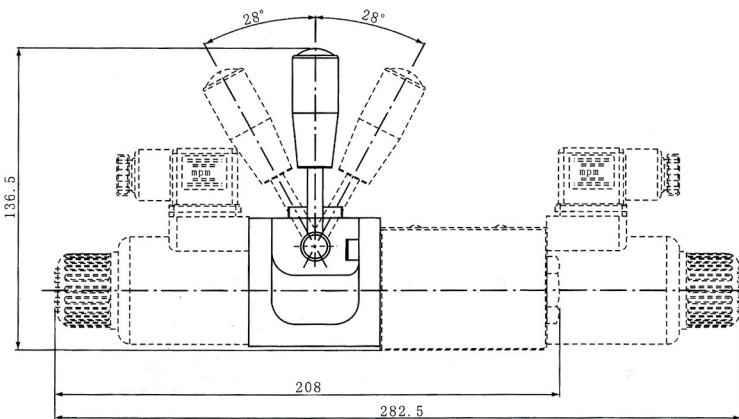
Ordering details

Model	YJ4WE6
Max. flow rate (l/min)	80
Working pressure (MPa)	A,B,P port 31.5
	T port 16
Weight (kgs)	3

Symbol list



Dimensions



Unit: mm

